

4

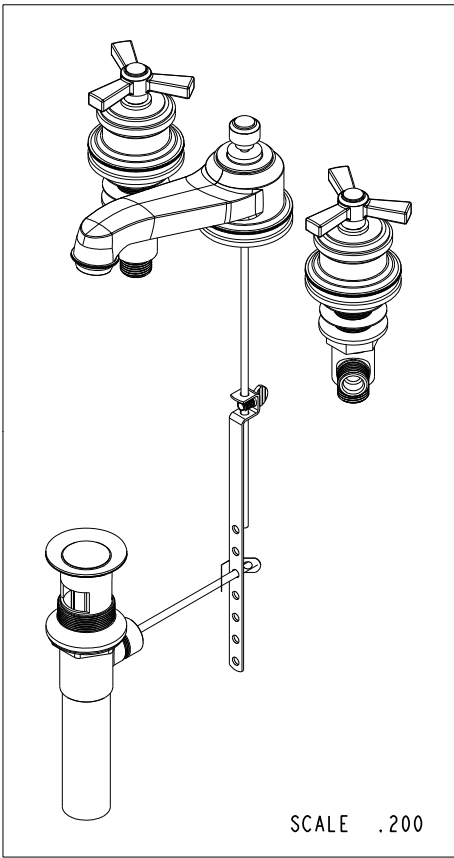
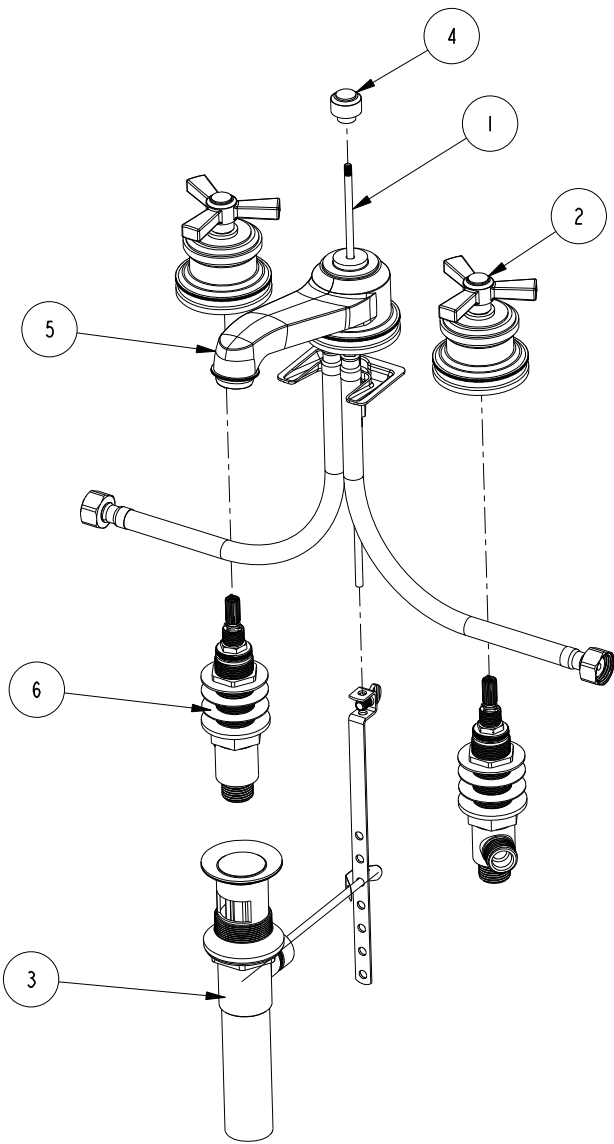
3

2

1

BILL OF MATERIAL (CURRENT LEVEL)

ITEM	PT/ASSY	DESCRIPTION	TYPE	QTY.
1	10288	3/16" POP UP ROD	PART	1
2	3-279	CROSS HANDLE/ESCUTCHEON ASM	ASSEMBLY	2
3	325	POP UP ASSEMBLY	ASSEMBLY	1
4	11092	POP UP KNOB	PART	1
5	3-340	W/S SPOUT ASM	ASSEMBLY	1
6	1-525	W/S VALVE INSTALLATION	ASSEMBLY	1



COPYRIGHT 2005 BRASSTECH, INC. THESE DRAWINGS AND THE DESIGNS DEPICTED HEREIN ARE THE PROPRIETARY PROPERTY OF BRASSTECH. ANY USE OR REPRODUCTION IS SUBJECT TO THE EXPRESS APPROVAL OF BRASSTECH. UNAUTHORIZED USE IS STRICTLY PROHIBITED. ALL RIGHTS RESERVED.

BRASSTECH
 INCORPORATED
 2001 E. CARNEGIE AVE.
 SANTA ANA, CA 92705
 (949) 417-5207

W/S FAUCET

ASSY. NO. 1600

SCALE .200

REF. -

SHEET 1 OF 2

C	EN-2553	07/01/13
B	EN-1616	09/13/10
A	EO-1004	06/12/08
-	EO-0255	01/27/04
REV	REV DESC	DATE

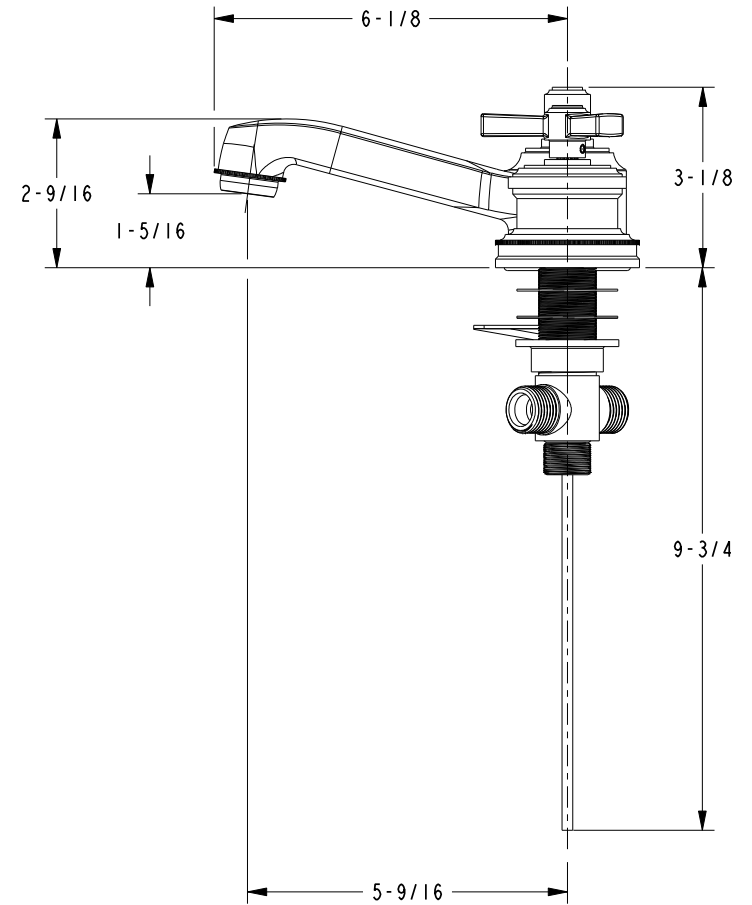
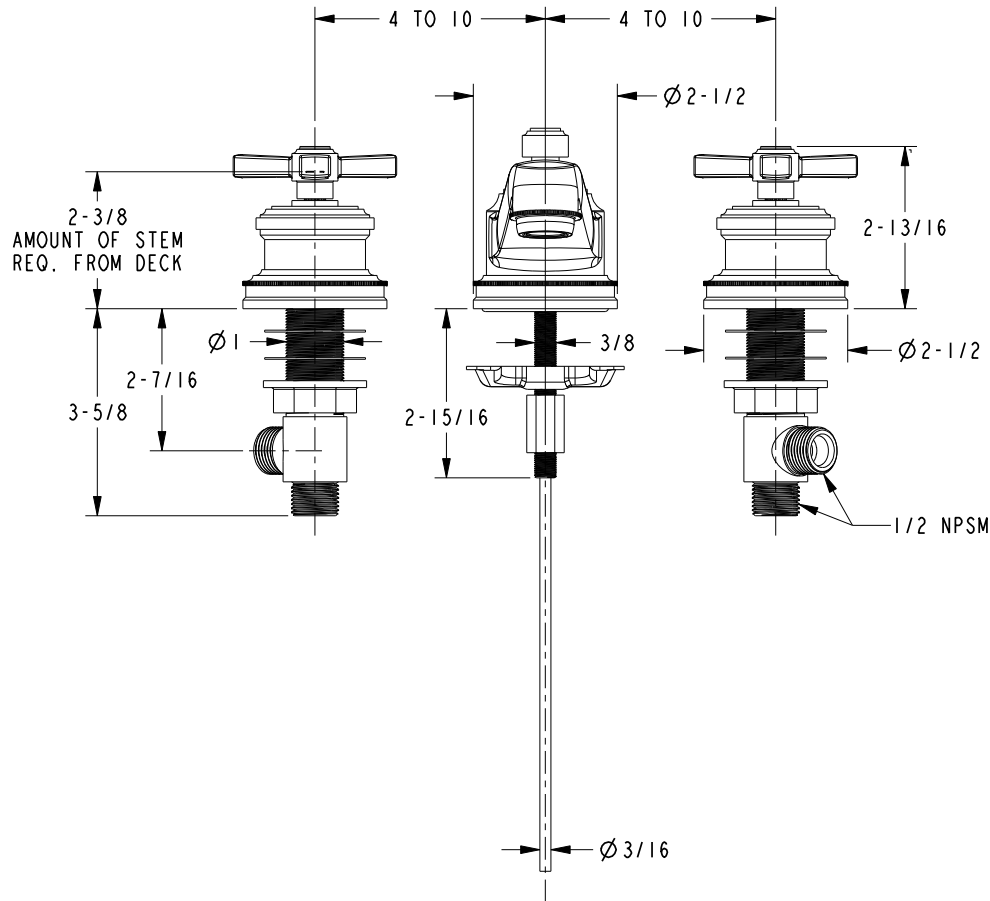
4

3

2

1

SPECIFICATION DWG



DIMENSIONS ARE IN INCHES AND AN APPROXIMATION OF A TYPICAL INSTALLATION

COPYRIGHT 2005 BRASSTECH, INC. THESE DRAWINGS AND THE DESIGNS DEPICTED HEREIN ARE THE PROPRIETARY PROPERTY OF BRASSTECH. ANY USE OR REPRODUCTION IS SUBJECT TO THE EXPRESS APPROVAL OF BRASSTECH. UNAUTHORIZED USE IS STRICTLY PROHIBITED. ALL RIGHTS RESERVED.

BRASSTECH		2001 CARNEGIE AVE. SANTA ANA, CA 92705 (949) 417-5207
DWG NO.	1600	REV C
SCALE	.300	REF. -
SHEET 2		OF 2