

Single Pantry Faucet

TECK[®]
COMMERCIAL

DELTA[®]

Specification: (example)

- **CAST BRASS** single pantry faucet
 - Polished chrome plated spout and trim
 - **CER-TECK[®]** 1/4 turn ceramic structure
 - Metal hold-down package
- and ... with ... (add outlet required)
with ... (add handle required)

27C643



Engineer/Architect Approval







Model Specified:

Approval:

Date:

DESCRIPTION	PRODUCT NO.		
Single Pantry Faucet	27C	6	



SPOUT	OUTLET	HANDLE
0 <input type="checkbox"/>	0 <input type="checkbox"/>	0 <input type="checkbox"/>
1 <input type="checkbox"/>	1 <input type="checkbox"/>	1 <input type="checkbox"/>
2 <input type="checkbox"/>	2 <input type="checkbox"/>	2 <input type="checkbox"/>
3 <input type="checkbox"/>	3 Vandal Resistant 1.5 gpm (5.7 L/min.) Flow Control Aerator  <input type="checkbox"/>	3 76mm (3") Hooded Lever Handle  <input type="checkbox"/>
4 <input type="checkbox"/>	4 Standard 1.5 gpm (5.7 L/min.) Flow Control Aerator  <input type="checkbox"/>	4 <input type="checkbox"/>
5 <input type="checkbox"/>	5 Vandal Resistant 0.5 gpm (1.9 L/min.) Flow Control Non-Aerating Spray Outlet  <input type="checkbox"/>	5 <input type="checkbox"/>
6 114mm (4.5") Rigid/Swivel (R2) Gooseneck Spout  <input checked="" type="checkbox"/>	6 <input type="checkbox"/>	6 <input type="checkbox"/>
7 <input type="checkbox"/>	7 <input type="checkbox"/>	7 <input type="checkbox"/>
8 <input type="checkbox"/>	8 <input type="checkbox"/>	8 76mm (3") Self-Closing Hooded Lever Handle  <input type="checkbox"/>
9 <input type="checkbox"/>	9 <input type="checkbox"/>	9 <input type="checkbox"/>

Refer to www.specselect.com for individual models.

Flow Rates are at 60 PSI
Note: Use this page front and back as a product submittal sheet.

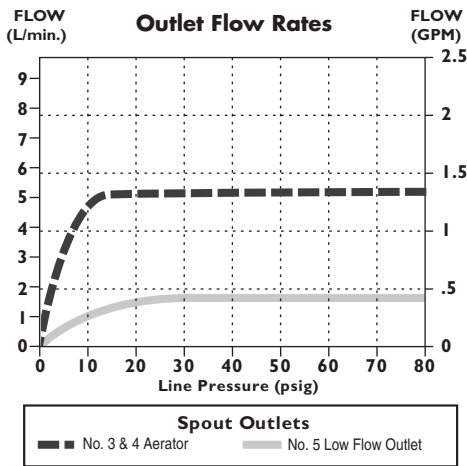
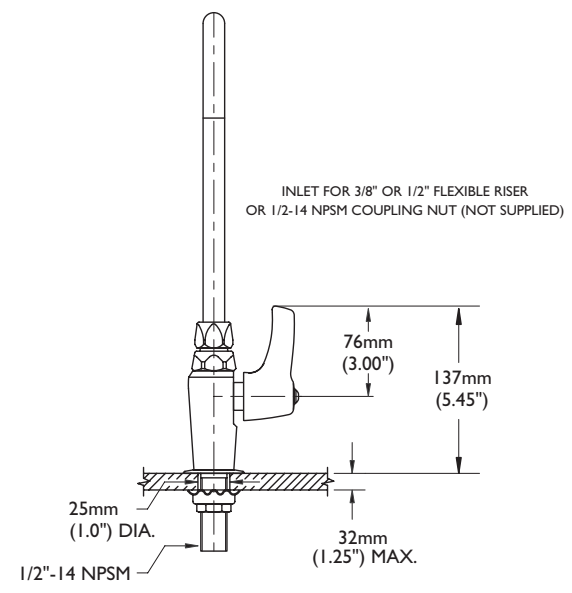
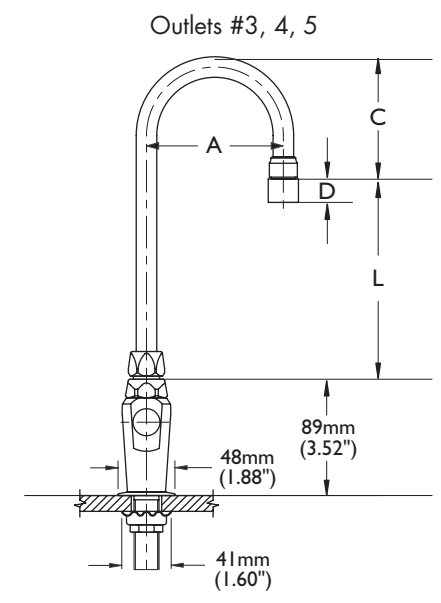
Delta reserves the right (1) to make changes in specifications and materials, and (2) to change or discontinue models, both without notice or obligation. Dimensions are for reference only. See current full-line price book or www.specselect.com for finish options and product availability.

DSP-27C Rev. B

Approvals:

- CSA certified
- Complies to ASME A112.18.1/CSA B125.1
- Handle No. 3
Indicates compliance to ICC/ANSI A117.1
- Outlet options 3 and 4 are EPA WaterSense listed
- Verified compliant with 0.25% weighted average Pb content regulations

(Contact Delta Representative for State and/or Local Approvals.)

FLOW RATE vs PRESSURE

FRONT VIEW

GOOSENECK SPOUTS


OUTLET NO.	"D"	
	mm	in.
3	18	0.69
4	17	0.67
5	18	0.69

GOOSENECK SPOUT ASSEMBLIES						
SPOUT/OUTLET	"A"		"C"		"L"	
	mm	in.	mm	in.	mm	in.
Gooseneck-Standard (R2) for outlets #3, 4, 5	114	4.5	104	4.1	170	6.7

Note: Measurements may vary ± 6mm (0.25")

Refer to www.specselect.com for individual models.

Note: Use this page front and back as a product submittal sheet.