

Features

- Brass construction.
- One-piece faucet, self-contained ceramic disc valve allows both volume and temperature control.
- High-temperature limit setting for added safety.
- Temperature memory allows faucet to be turned on and off at any temperature setting.
- Single-hole mounting.
- Touch-activated drain with tailpiece and no overflow.
- Stationary spout.
- 3-5/8" (92 mm) spout reach.
- 1.2 gal/min (4.5 l/min) maximum flow rate [max at 60 psi (4.14 bar)].



Codes/Standards

ASME A112.18.1/CSA B125.1

NSF/ANSI 61

NSF/ANSI 372

All applicable US Federal and State material regulations

DOE - Energy Policy Act 1992

EPA WaterSense®

California Energy Commission (CEC)

KOHLER® Faucet Lifetime Limited Warranty

See website for detailed warranty information.

Available Color/Finishes

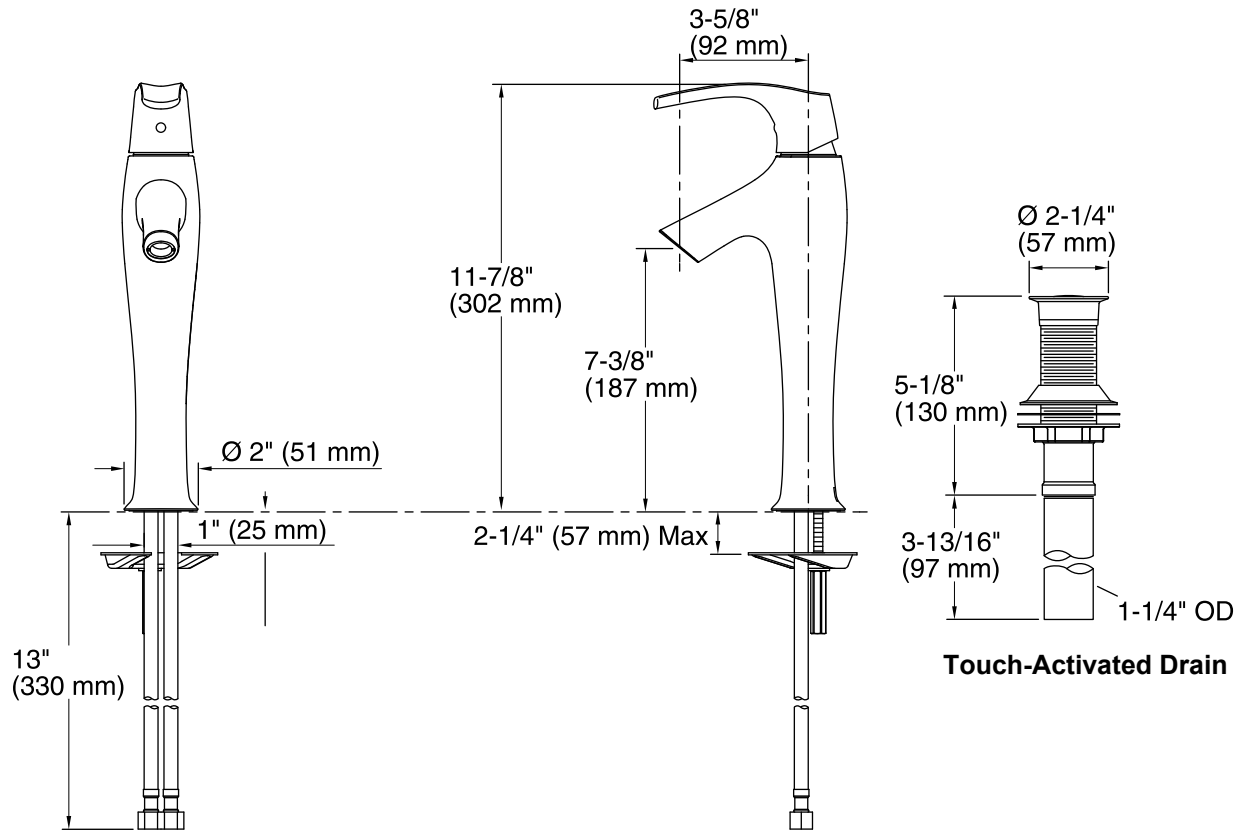
Color tiles intended for reference only.

Color	Code	Description
-------	------	-------------



CP	Polished Chrome
----	-----------------

BN	Vibrant® Brushed Nickel
----	-------------------------



Technical Information

All product dimensions are nominal.

Faucet:

Flow rate: 1.2 gal/min (4.5 l/min)

Pressure: 60 psi (4.1 bar)

Drain included: Yes

Drain tailpiece included: Yes

Spout:

Spout reach: 3-5/8" (92 mm)

Notes

Install this product according to the installation guide.