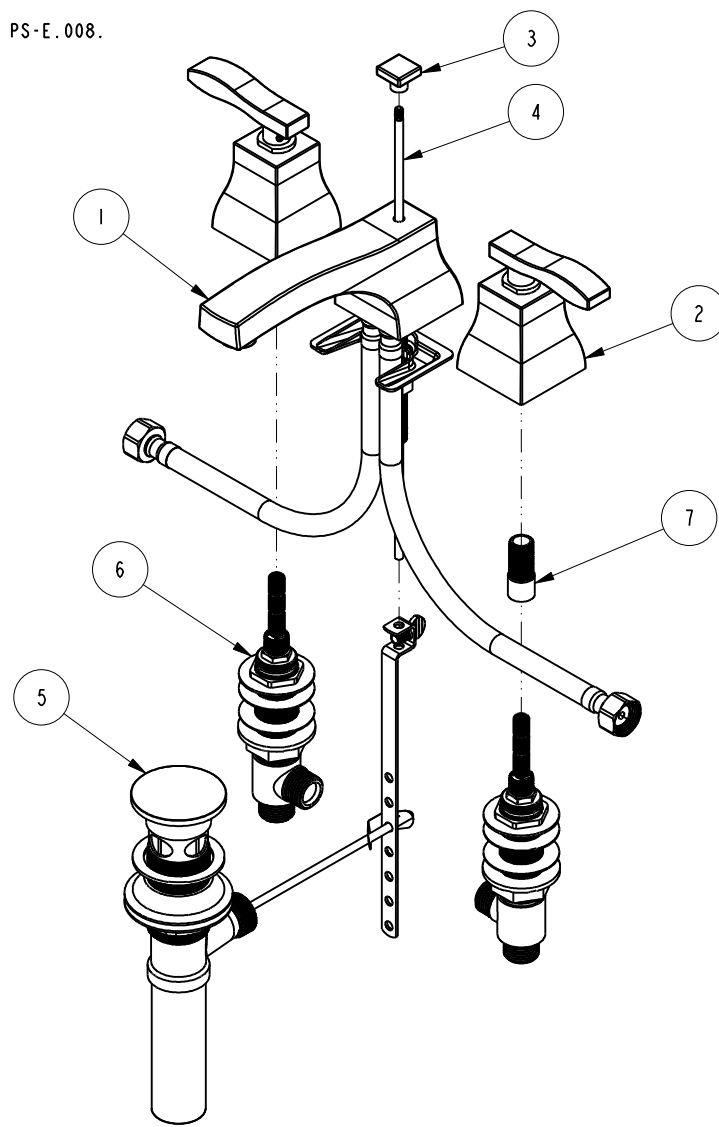


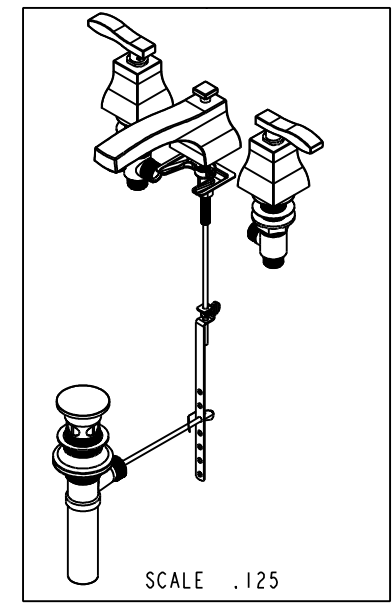
NOTES:

(N1) 1. FIT / FORM / FUNCTION SHALL FOLLOW PS-E.008.



BILL OF MATERIAL (CURRENT LEVEL)

ITEM	PT/ASSY	DESCRIPTION	TYPE	QTY.
1	3-352	W/S SPOUT ASM - 1040	ASSEMBLY	1
2	3-238	TRIM KIT - HANDLE / ESC	ASSEMBLY	2
3	10676	SQUARE POP UP KNOB	PART	1
4	10288	3/16" POP UP ROD	PART	1
5	325	POP UP ASSEMBLY	ASSEMBLY	1
6	1-592_1040	W/S LONG STEM KIT	ASSEMBLY	1
7	10997	ALLTHRD COUPL'G 1.5"	PART	2



ZONE	REV	DESCRIPTION	DATE	APPROVED
-	E	EN-3371	08/04/17	J.M
-	D	EN-2553	07/02/13	-
-	C	EN-1616	09/13/10	-
-	B	EO-1017	06/10/08	-
-	A	EO-0230	07/17/03	-

COPYRIGHT 2005 BRASSTECH, INC. THESE DRAWINGS AND THE DESIGNS DEPICTED HEREIN ARE THE PROPRIETARY PROPERTY OF BRASSTECH. ANY USE OR REPRODUCTION IS SUBJECT TO THE EXPRESS APPROVAL OF BRASSTECH. UNAUTHORIZED USE IS STRICTLY PROHIBITED. ALL RIGHTS RESERVED.

TESTING	ASSEMBLY	PLATING	POLISHING	MACHINING	TOOLING	FIXTURE #
-	-	-	-	-	-	-
		NEXT ASSY		USED ON		
APPLICATION						
REMOVE ALL BURRS AND SHARP EDGES						

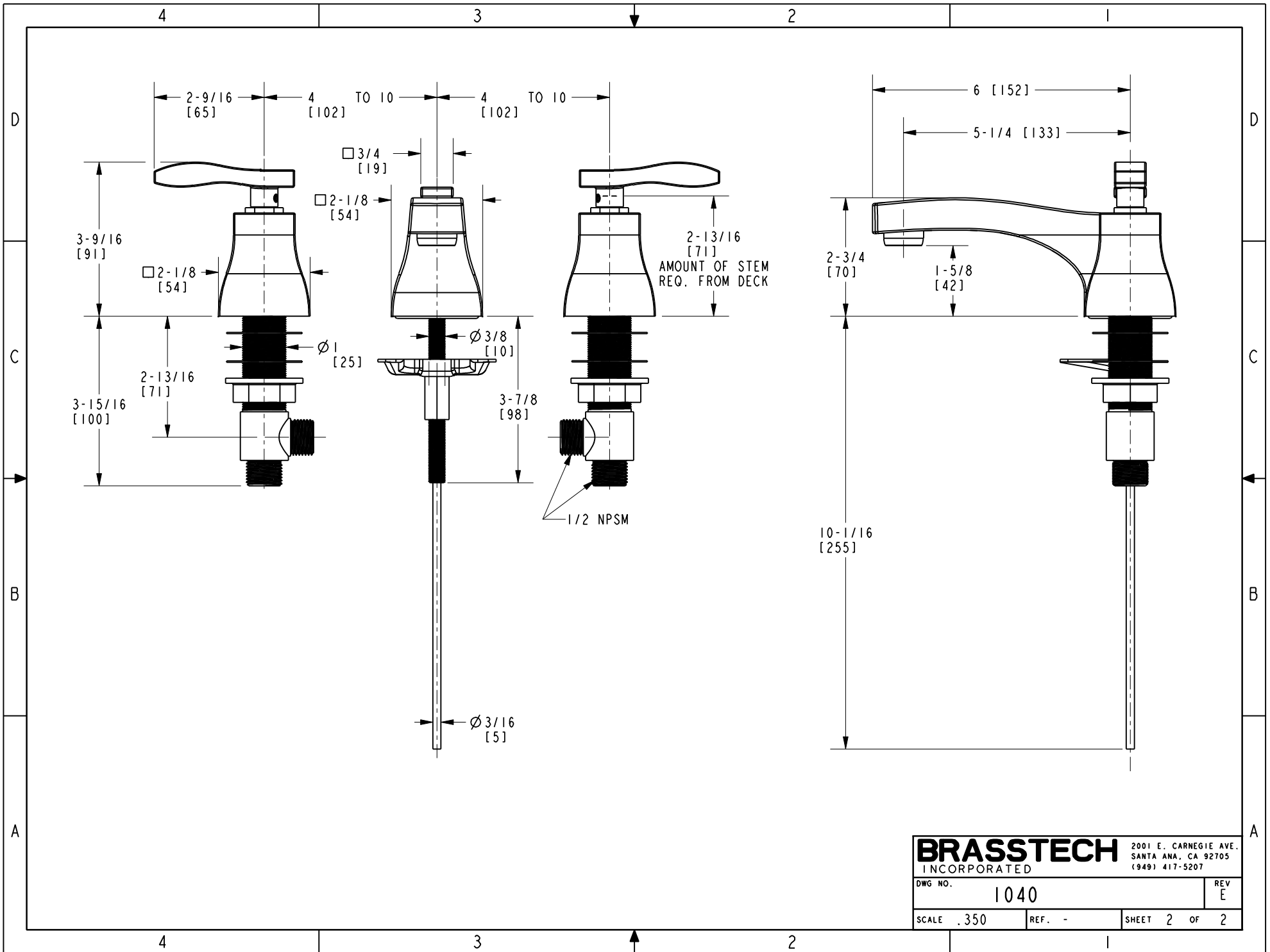
UNITS ARE: INCHES [MM]	
TOLERANCES ARE:	
FRACTIONS DECIMALS	ANGLES
±1/16"	±1°
.X ±.1 [2,5]	
.XX ±.06 [1,3]	
(X.XXX) DENOTES CRITICAL DIMS.	
ALL THREADS ARE CRITICAL	
DRAWN	VINAY 08/04/17
CHECKED	RAVINDRA 08/04/17
APPROVED	J.M 08/04/17

BRASSTECH 2001 CARNEGIE AVE.
INCORPORATED SANTA ANA, CA 92705
(949) 417-5207

W/S LAVATORY FAUCET

DWG NO. **1040** REV **E**

SCALE .225 REF. - SHEET 1 OF 2



BRASSTECH		2001 E. CARNEGIE AVE.	
INCORPORATED		SANTA ANA, CA 92705	
		(949) 417-5207	
DWG NO.	1040	REV	E
SCALE	.350	REF.	-
		SHEET	2 OF 2