

Single Shank Mixing Faucets

TECK®



Specification: (example)

- **CAST BRASS** single shank mixing sink faucet
- Two handle, polished chrome plated finish
- CER-TECK 1/4 turn ceramic structures
- Metal hold-down package
- Anti-rotation, body mounted locking pins
- **BRASS** swing-spout or 3/8" IPS **BRASS PIPE** Rigid/Swivel Gooseneck Spout
- Color indexed metal handles with vandal resistant screws and ...
- with ... 4" forged **BRASS** coverplate (if applicable)
- with ... (add spout required)
- with ... (add outlet required)
- with ... (add handle required)
- with ... (add suffix **-LS** if required – See Back Page)













Engineer/Architect Approval

Model Specified: _____

Approval: _____ Date: _____

DESCRIPTION	PRODUCT NO.
Single Shank Mixing Faucet less Coverplate	25C3
Single Shank Mixing Faucet with 4" Coverplate	25C4



SPOUT		OUTLET		HANDLE	
0	<input type="checkbox"/>	0	<input type="checkbox"/>	0	<input type="checkbox"/>
1	<input type="checkbox"/>	1	<input type="checkbox"/>	1 Five Flute Handles 	<input type="checkbox"/>
2 203mm (8") Tubular (S5) Swing Spout (2) 	<input type="checkbox"/>	2 Vandal Resistant 1.5 USGPM (5.7 L/min.) Laminar w/Antimicrobial By AgION™ 	<input type="checkbox"/>	2	<input type="checkbox"/>
3	<input type="checkbox"/>	3 Vandal Resistant 1.5 USGPM (5.7 L/min.) Flow Control Aerator 	<input type="checkbox"/>	3	<input type="checkbox"/>
4	<input type="checkbox"/>	4 Standard 1.5 USGPM (5.7 L/min.) Flow Control Aerator 	<input type="checkbox"/>	4	<input type="checkbox"/>
5	<input type="checkbox"/>	5 Vandal Resistant 0.5 USGPM (1.9 L/min.) Flow Control Non-Aerating Spray Outlet 	<input type="checkbox"/>	5	<input type="checkbox"/>
6	<input type="checkbox"/>	6	<input type="checkbox"/>	6	<input type="checkbox"/>
7	<input type="checkbox"/>	7 Smooth End, Laminar Flow Control in Base of Gooseneck Spout 1.1 USGPM (4.2L/min.) (3) 	<input type="checkbox"/>	7 63.5mm (2.5") Balanced Lever Handles 	<input type="checkbox"/>
8 Heavy Duty 114mm (4 1/2") Bend Rigid/Swivel (R2) Gooseneck Spout (1) (4) 	<input type="checkbox"/>	8	<input type="checkbox"/>	8	<input type="checkbox"/>
9 Heavy Duty 152mm (6") Bend Rigid/Swivel (R4) Gooseneck Spout (1) (4) 	<input type="checkbox"/>	9	<input type="checkbox"/>	9	<input type="checkbox"/>

(1) See Page 9.C.1 for **Optional Rigid/Swivel Spouts**. These spouts can ONLY be added to **SPOUT Option No. 9**.
 (2) See Page 9.C.2 for **Optional Swing Spouts**. These spouts can ONLY be added to **SPOUT Option No. 2**.
 (3) This outlet can ONLY be added to **SPOUT Option No. 8 or 9**. Note: Use this page front and back as a product submittal sheet. (4) 120° Limited Swing Spout Available. Add Suffix **-LS**

Delta reserves the right (1) to make changes in specifications and materials, and (2) to change or discontinue models, both without notice or obligation. Dimensions are for reference only. See current full-line price book or www.specselectonline.com for finish options and product availability.

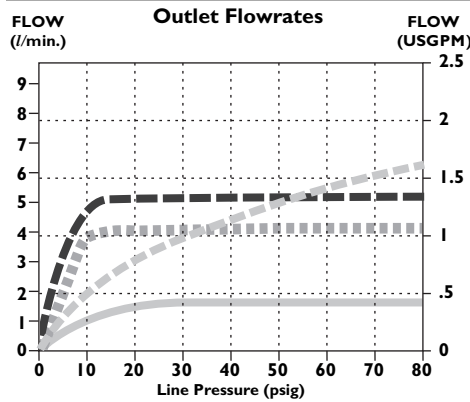
Flowrates are at 60 PSI. Refer to www.specselectonline.com for individual models.

Page 4.C.1

Approvals:

- CSA certified
- Complies to ASME A112.18.1
- Balanced Lever Handle No. 7, ADA Compliant and meets Handicapped Accessibility Standard ASME A117.1 of less than 5 lbs. operating force.
- IAPMO listed

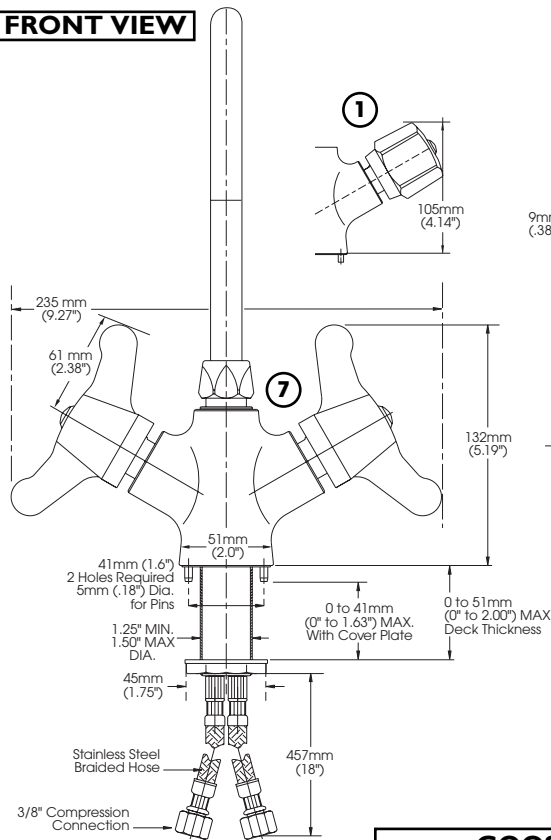
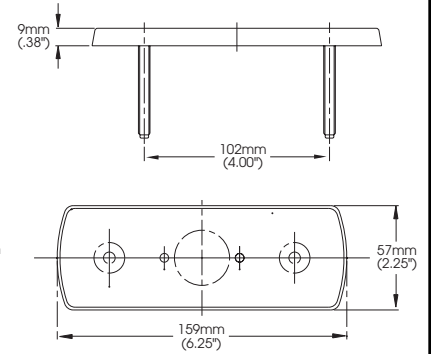
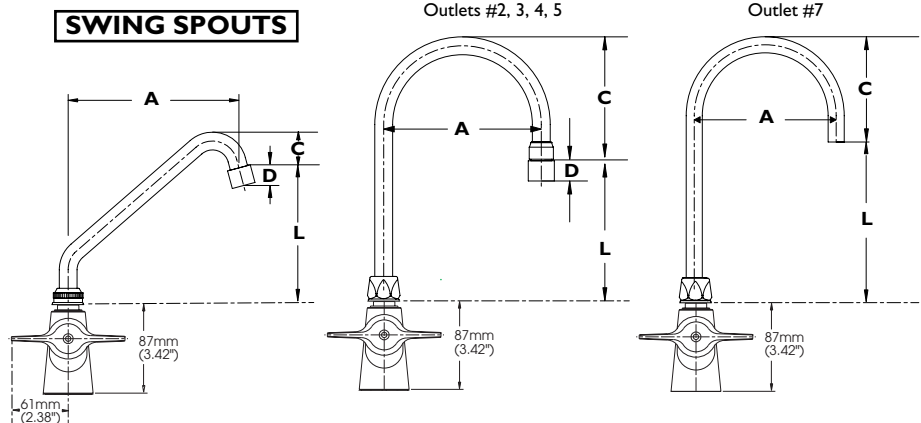
(Contact Delta Representative for State and/or Local Approvals.)

FLOWRATE vs PRESSURE


Spout Outlets

- No. 2 Laminar Flow Outlet
- No. 3 & 4 Aerator
- No. 5 Low Flow Outlet
- No. 7 Flow Control

OUTLET NO.	"D"	
	mm	in.
2	18	0.69
3	18	0.69
4	17	0.67
5	18	0.69

FRONT VIEW

COVERPLATE

SWING SPOUTS

GOOSENECK SPOUTS

Outlets #2, 3, 4, 5

Outlet #7

GOOSENECK SPOUT ASSEMBLY #8

SPOUT/OUTLET	"A"		"C"		"L"	
	mm	in.	mm	in.	mm	in.
Gooseneck-Standard (R2) for outlets #2, 3, 4, 5	114	4.5	104	4.1	170	6.7
Gooseneck-Standard (R2) for outlet #7	114	4.5	97	3.8	178	7.0

See Page 9.C.1 for additional optional spouts.

LIMITED SWING GOOSENECK

- Add suffix "- LS" to Product Number for 120° Limited Swing

INLETS - 3/8" compression connection
 Note: Measurements may vary ± 6mm (0.25")

GOOSENECK SPOUT ASSEMBLY #9

SPOUT/OUTLET	"A"		"C"		"L"	
	mm	in.	mm	in.	mm	in.
Gooseneck-Standard (R4) for outlets #2, 3, 4, 5	152	6	124	4.9	146	5.8
Gooseneck-Standard (R4) for outlet #7	152	6	117	4.6	152	6.0

SWING SPOUT ASSEMBLIES

Spout No.	SPOUT TYPE	"A"		"C"		"L"	
		mm	in.	mm	in.	mm	in.
2	8" Tubular Spout (S5)	185	7.3	41	1.6	147	5.8

See Page 9.C.2 for additional optional spouts.