



# Morningside™

## Wall-mount Wheelchair Bathroom Sink

### K-12634

#### Features

- Made from premium materials that withstand high-volume usage
- Constructed of vitreous china
- 20"L x 27"W
- Wall-mount installation
- 11-1/2" center drilling
- Drilled for concealed arm carrier
- ADA-compliant when installed with K-13885 offset drain

#### Recommended Accessories

- K-8998 P-Trap
- K-7131-A Offset Drain



ADA

#### Codes/Standards




ASME A112.19.2/CSA B45.1  
ADA  
ICC/ANSI A117.1

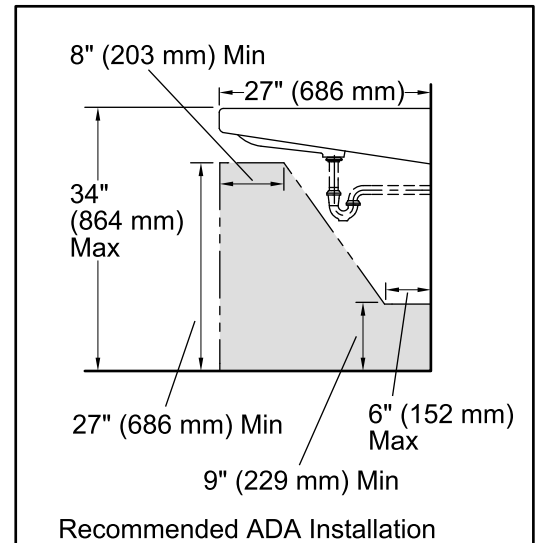
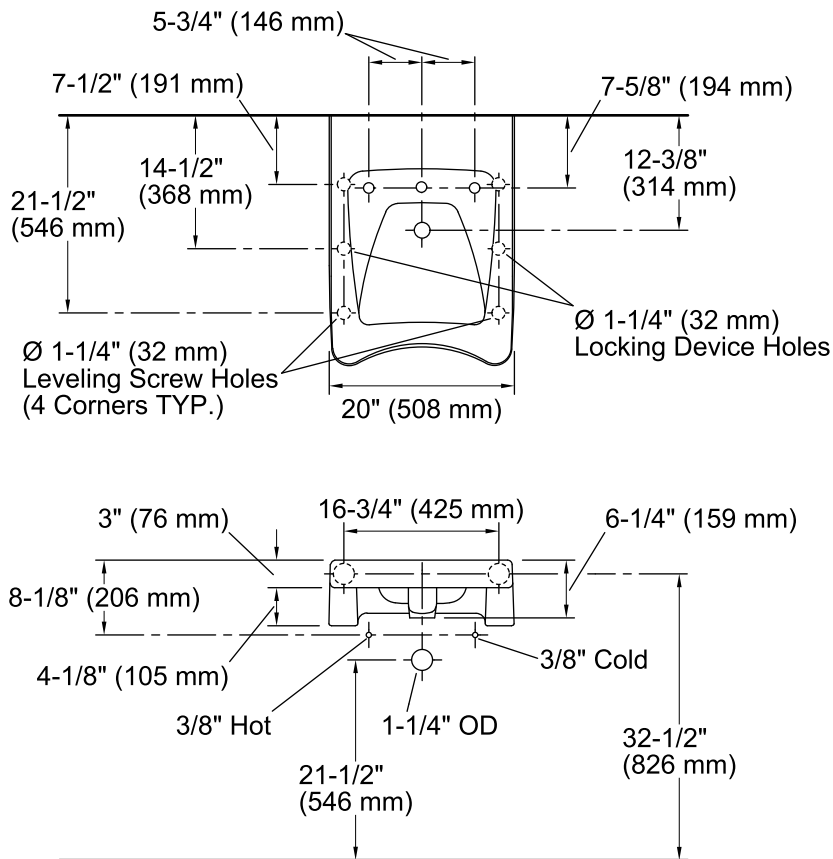
#### KOHLER® One-Year Limited Warranty

See website for detailed warranty information.

#### Available Color/Finishes

*Color tiles intended for reference only.*

Color	Code	Description
	0	White
	96	Biscuit
	47	Almond



### Technical Information

All product dimensions are nominal.

- Bowl configuration: Single  
 Installation: Wall-mount  
 Bowl area (Only): Length: 14" (356 mm)  
 Width: 13" (330 mm)  
 Water depth: 2-5/8" (67 mm)  
 Number of deck holes: 3  
 Faucet hole(s): 1-3/8" (35 mm)  
 Drain hole: 1-3/4" (44 mm)

### Notes

- Install this product according to the installation instructions.  
 ADA compliant when installed to the specific requirements of these regulations.