

Single Shank Mixing Faucets

TECK[®]
COMMERCIAL

DELTA[®]

Specification: (example)

- **CAST BRASS** single shank mixing sink faucet
- Two handle, polished chrome plated finish
- **CER-TECK[®]** 1/4 turn ceramic structures
- Metal hold-down package
- Anti-rotation, body mounted locking pins
- **BRASS** swing-spout or 3/8" IPS **BRASS PIPE** Rigid/Swivel Gooseneck Spout
- Color indexed metal handles with vandal resistant screws and ...
- with ... 4" forged **BRASS** coverplate (if applicable)
- with ... (add spout required)
- with ... (add outlet required)
- with ... (add suffix **-LS** if required – See Back Page)

25C3847



Engineer/Architect Approval









Model Specified:

Approval:

Date:

DESCRIPTION	PRODUCT NO.		
Single Shank Mixing Faucet less Coverplate	25C3		7



SPOUT		OUTLET		HANDLE	
0	<input type="checkbox"/>	0	<input type="checkbox"/>	0	<input type="checkbox"/>
1	<input type="checkbox"/>	1	<input type="checkbox"/>	1	<input type="checkbox"/>
2	<input type="checkbox"/>	2 Vandal Resistant 1.5 gpm (5.7 L/min.) Laminar with Agion [®] Antimicrobial 	<input type="checkbox"/>	2	<input type="checkbox"/>
3	<input type="checkbox"/>	3 Vandal Resistant 1.5 gpm (5.7 L/min.) Flow Control Aerator 	<input type="checkbox"/>	3	<input type="checkbox"/>
4	<input type="checkbox"/>	4 Standard 1.5 gpm (5.7 L/min.) Flow Control Aerator 	<input type="checkbox"/>	4	<input type="checkbox"/>
5	<input type="checkbox"/>	5 Vandal Resistant 0.5 gpm (1.9 L/min.) Flow Control Non-Aerating Spray Outlet 	<input type="checkbox"/>	5	<input type="checkbox"/>
6	<input type="checkbox"/>	6	<input type="checkbox"/>	6	<input type="checkbox"/>
7	<input type="checkbox"/>	7 Smooth End, Laminar Flow Control in Base of Gooseneck Spout 1.0 gpm (3.8 L/min.) 	<input type="checkbox"/>	7 63.5mm (2.5") Balanced Lever Handles 	<input checked="" type="checkbox"/>
8 Heavy Duty 114mm (4 1/2") Bend Rigid/Swivel (R2) Gooseneck Spout (1) 	<input type="checkbox"/>	8	<input type="checkbox"/>	8	<input type="checkbox"/>
9 Heavy Duty 152mm (6") Bend Rigid/Swivel (R4) Gooseneck Spout (1) 	<input type="checkbox"/>	9	<input type="checkbox"/>	9	<input type="checkbox"/>

(1) Available **Optional Rigid/Swivel Spouts**. These spouts can **ONLY** be added to **SPOUT Option No. 9**.

Flow Rates are at 60 PSI.

Refer to www.specselect.com for individual models.

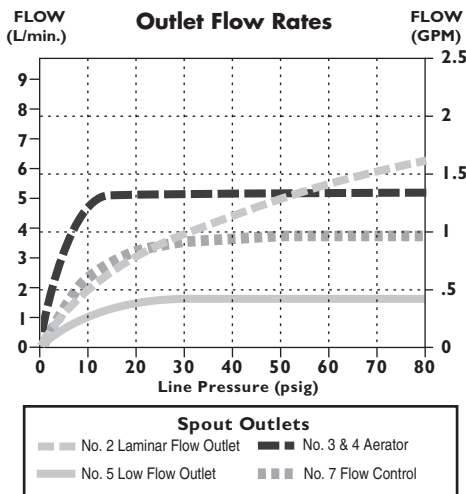
Note: Use this page front and back as a product submittal sheet.

Delta reserves the right (1) to make changes in specifications and materials, and (2) to change or discontinue models, both without notice or obligation. Dimensions are for reference only. See current full-line price book or www.specselect.com for finish options and product availability.

DSP-25C Rev. B

Approvals:

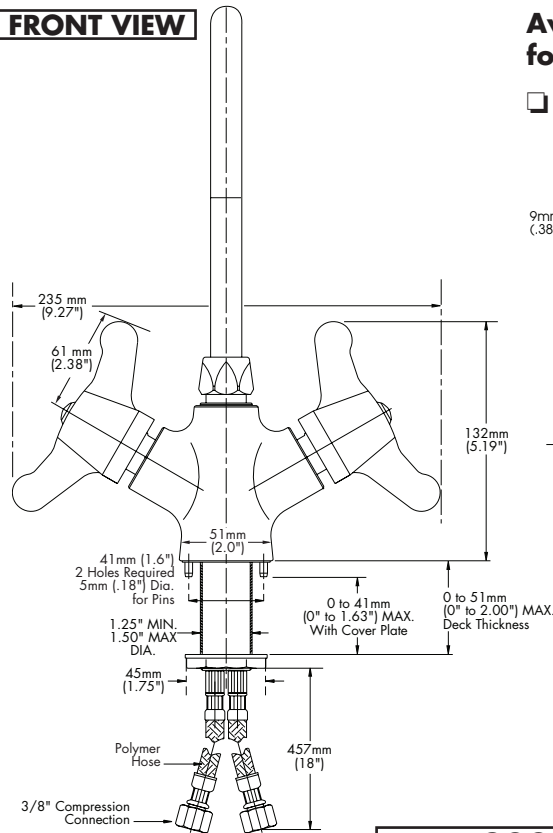
- CSA certified
 - Complies to ASME A112.18.1/CSA B125.1
 - Indicates compliance to ICC/ANSI A117.1
 - Outlet options 2, 3, 4 and 7 are EPA WaterSense listed
 - Verified compliant with 0.25% weighted average Pb content regulations
- (Contact Delta Representative for State and/or Local Approvals.)

FLOW RATE vs PRESSURE

FOR OPTIONAL RIGID/SWIVEL & LIMITED SWING SPOUTS

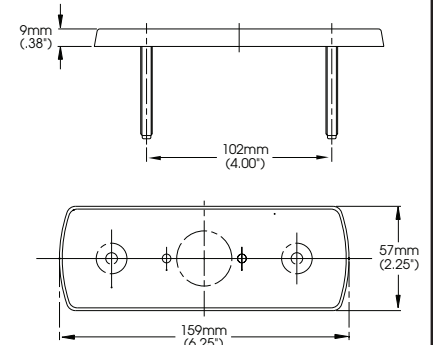
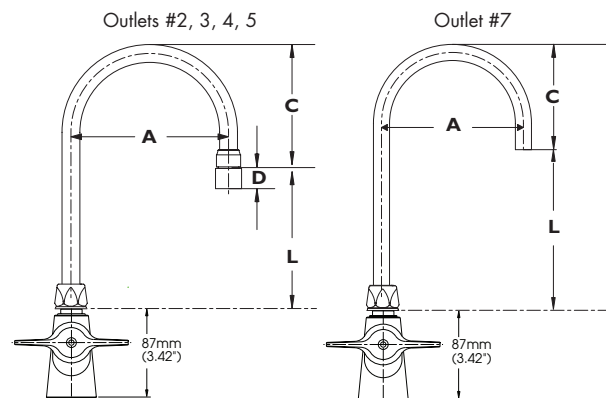
See DSP-R/S for detailed specification

LIMITED SWING GOOSENECK

- Add suffix "- LS" to Product Number for 120° Limited Swing - Available with outlet #2, 3, 4, 5 ONLY.

FRONT VIEW

Available Option for Field Conversion

- **060585A**
4" Coverplate


GOOSENECK SPOUTS

GOOSENECK SPOUT ASSEMBLY #8

SPOUT/OUTLET	"A"		"C"		"L"	
	mm	in.	mm	in.	mm	in.
Gooseneck-Standard (R2) for outlets #2, 3, 4, 5	114	4.5	104	4.1	170	6.7
Gooseneck-Standard (R2) for outlet #7	114	4.5	97	3.8	178	7.0

GOOSENECK SPOUT ASSEMBLY #9

SPOUT/OUTLET	"A"		"C"		"L"	
	mm	in.	mm	in.	mm	in.
Gooseneck-Standard (R4) for outlets #2, 3, 4, 5	152	6	124	4.9	146	5.8
Gooseneck-Standard (R4) for outlet #7	152	6	117	4.6	152	6.0

OUTLET NO.	"D"	
	mm	in.
2	18	0.69
3	18	0.69
4	17	0.67
5	18	0.69

INLETS - 3/8" compression connection

Note: Measurements may vary ± 6mm (0.25")