



## Iron Plains® Round

Bathroom Sink

K-20211-W

### Features

- Small round basin.
- No faucet holes; requires wall- or counter-mount faucet.
- Overflow drain.

### Material

- KOHLER® enameled cast iron.
- Painted underside in White.

### Installation

- Vessel, drop-in, or under-mount.



ADA

CSA B651

OBC

### Codes/Standards

ASME A112.19.1/CSA B45.2

ADA

ICC/ANSI A117.1

CSA B651

OBC

### Lifetime Limited Warranty for KOHLER® Cast Iron Components

See website for detailed warranty information.

### Available Colors/Finishes

*Color tiles intended for reference only.*

Color	Code	Description
-------	------	-------------

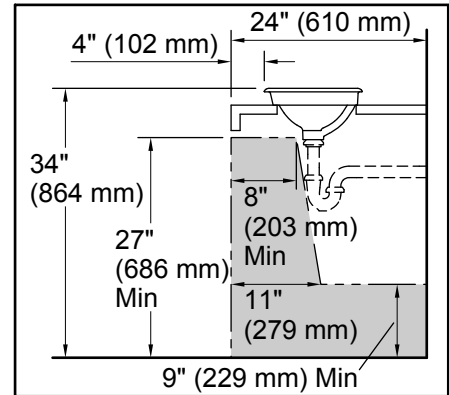
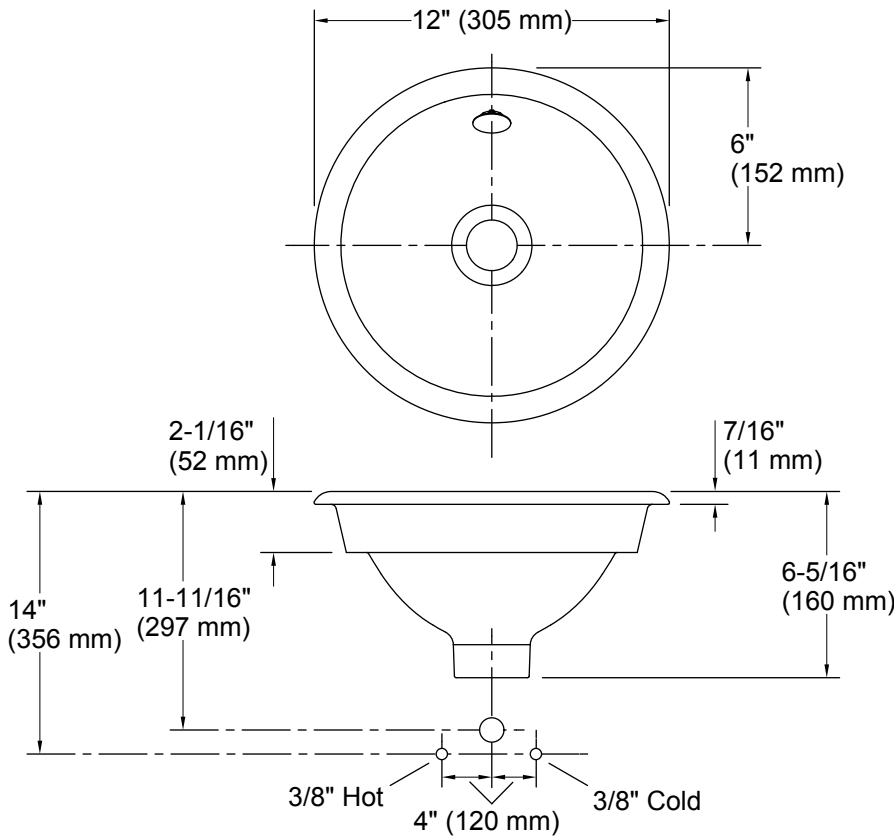


0 White

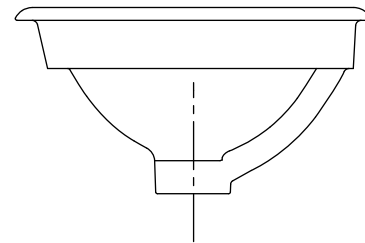
FF Sea Salt™



# Iron Plains® Round Bathroom Sink K-20211-W



**Recommended ADA Installation**



## Technical Information

All product dimensions are nominal.

Installation: Drop-in, Under-mount, Vessel

Drain hole: 1-3/4" (44 mm)

Template: 1319047-7, required, included

## Notes

Install this product according to the installation instructions.

**NOTICE:** Countertop manufacturer or cutter must use the cut-out template provided with the product, or a current one provided by Kohler Co. (call 1-800-4-KOHLER). Kohler Co. is not responsible for cutout errors when the incorrect cut-out template is used.

ADA, OBC, CSA B651 compliant when installed to the specific requirements of these regulations.