

Features

- 27" minimum base cabinet width for undermount or top-mount installation.
- Single bowl.
- 10" (254 mm) depth provides generous workspace.
- Includes one faucet hole on rear deck (three more faucet/accessory holes available for knockout).
- Includes cutout templates.
- Includes K-80049 sink rack.

Material

- KOHLER Neoroc® composite is durable and built to withstand day-to-day cleaning tasks.
- Matte finish offers rich, dimensional color.
- Solid color throughout the sink.
- Heat resistant up to 750°F.
- Scratch, stain, chip, and thermal-shock resistant.

Installation

- Top-mount or undermount.

Recommended Products/Accessories

- K-8801 Sink Strainer
- K-9000 P-Trap
- K-8799 Sink Strainer
- K-23726 Drain treatment
- K-23730 Neoroc® cleaner

Optional Products/Accessories

- K-11352 Disposal Flange with Stopper

Included Components

- Additional Components:
K-80049



Codes/Standards




CSA B45.5/IAPMO Z124

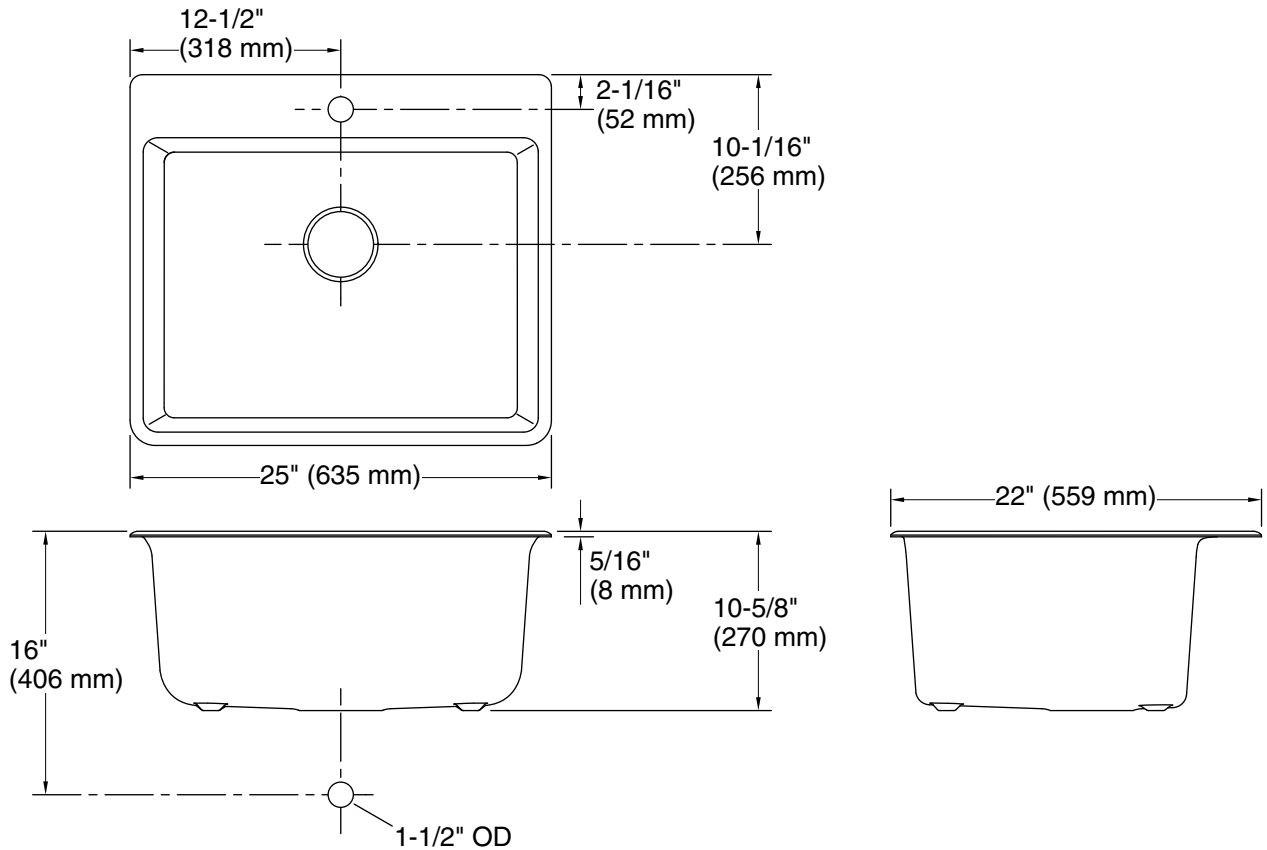
KOHLER® Neoroc® Sinks Lifetime Limited Warranty

See website for detailed warranty information.

Available Colors/Finishes

Color tiles intended for reference only.

Color	Code	Description
	CM7	Matte Graphite
	CM1	Matte Black
	CM2	Matte Brown



Technical Information

All product dimensions are nominal.

Bowl configuration:	Single
Installation:	Top-mount, Undermount
Min. base cabinet width:	27" (686 mm)
Bowl area (Only):	Length: 16-15/16" (430 mm) Width: 22-1/8" (561 mm) Bowl depth: 10" (254 mm) Water depth: 10" (254 mm)
Number of deck holes:	1
Drain hole:	3-7/8" (98 mm)
Template:	1354775-7, required, included

Notes

Install this product according to the installation instructions.

NOTICE: Countertop manufacturer or cutter must use the cut-out template provided with the product, or a current one provided by Kohler Co. (call 1-800-4-KOHLER). Kohler Co. is not responsible for cutout errors when the incorrect cut-out template is used.