



Iron Plains® Round

Vessel bathroom sink

K-20211-PL

Features

- Small round basin.
- Overflow drain.

Material

- KOHLER® enameled cast iron.
- Black Plum interior and painted underside.

Installation

- No faucet holes; requires wall- or counter-mount faucet.
- Vessel, drop-in, or under-mount.

Recommended Products/Accessories

K-23726 Drain treatment

K-23725 Cast iron cleaner



ADA

CSA B651

OBC

Codes/Standards

ASME A112.19.1/CSA B45.2

ADA

ICC/ANSI A117.1

CSA B651

OBC

Lifetime Limited Warranty for KOHLER® Cast Iron Components

See website for detailed warranty information.

Available Colors/Finishes

Color tiles intended for reference only.

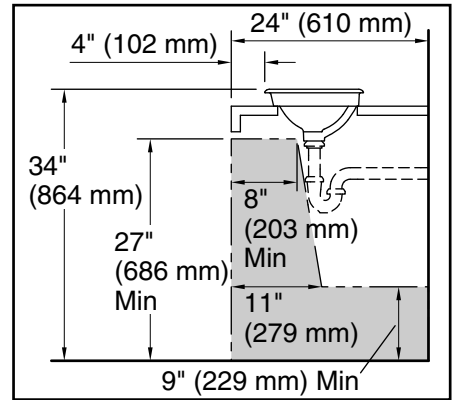
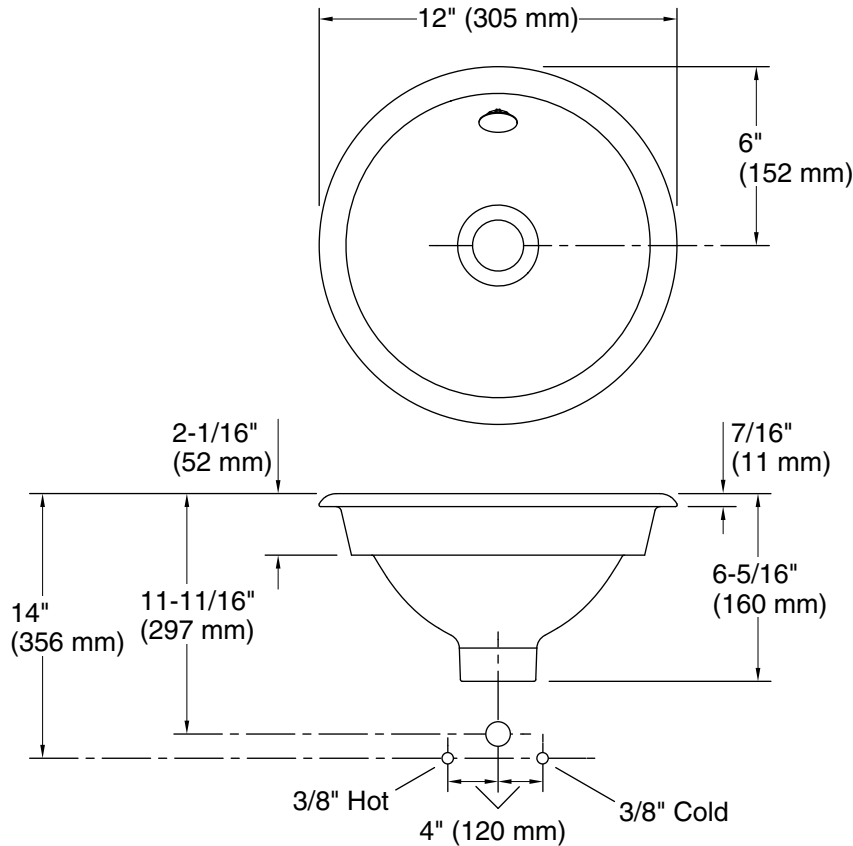
Color	Code	Description
-------	------	-------------

	PLM	Black Plum
--	-----	------------

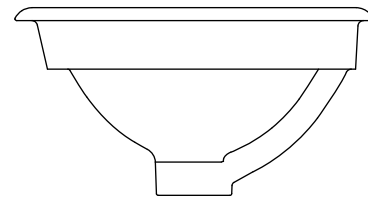


Iron Plains® Round

Vessel bathroom sink
K-20211-PL



Recommended ADA Installation



Technical Information

All product dimensions are nominal.

- Installation: Drop-in, Under-mount, Vessel
Drain hole: 1-3/4" (44 mm)
Template: 1319047-7, required, included

Notes

Install this product according to the installation instructions.

NOTICE: Countertop manufacturer or cutter must use the cut-out template provided with the product, or a current one provided by Kohler Co. (call 1-800-4-KOHLER). Kohler Co. is not responsible for cutout errors when the incorrect cut-out template is used.

ADA, OBC, CSA B651 compliant when installed to the specific requirements of these regulations.