



Iron Plains® Oval Wading Pool®

bathroom sink with Black Plum painted underside

K-5403-PL

Features

- Oval basin.
- Overflow drain.

Material

- KOHLER® enameled cast iron.
- Black Plum interior and painted underside.

Installation

- No faucet holes; requires wall- or counter-mount faucet.
- Vessel.

Recommended Products/Accessories

- K-23726 Drain treatment
- K-23725 Cast iron cleaner



ADA CSA B651

Codes/Standards

ASME A112.19.1/CSA B45.2
ADA
ICC/ANSI A117.1
CSA B651

Lifetime Limited Warranty for KOHLER® Cast Iron Components

See website for detailed warranty information.

Available Colors/Finishes

Color tiles intended for reference only.

Color Code Description

■ PLM Black Plum

1-800-4KOHLE (1-800-456-4537)

Kohler Co. reserves the right to make revisions without notice to product specifications.

For the most current Specification Sheet, go to www.kohler.com.

10-8-2020 04:57 - US/CA/CN/LM/MX

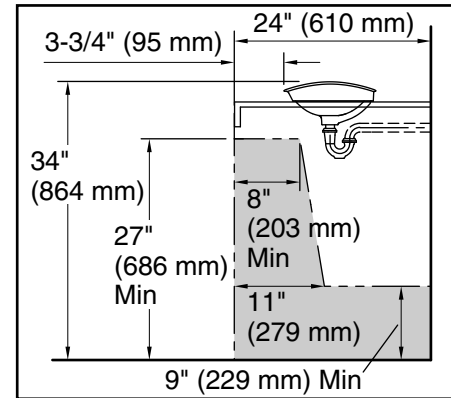
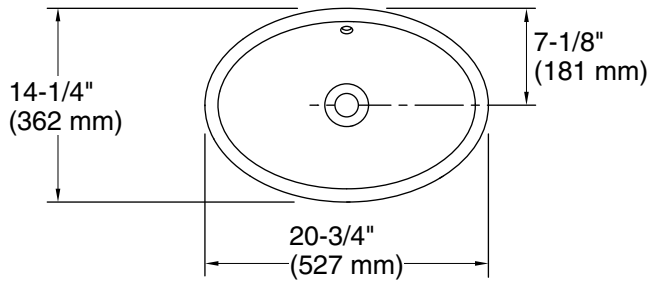
THE BOLD LOOK
OF **KOHLER**®



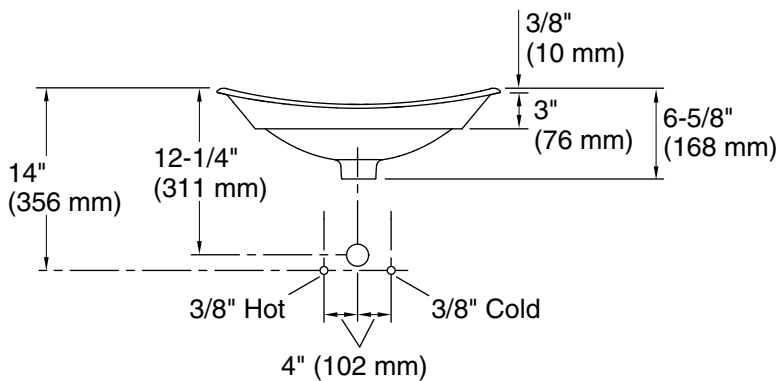
Iron Plains® Oval Wading Pool®

bathroom sink with Black Plum painted underside

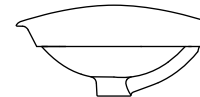
K-5403-PL



Recommended ADA Installation



Standard Installation



Technical Information

All product dimensions are nominal.

- Bowl configuration: Single
- Installation: Vessel
- Bowl area:
 - Length: 19-3/4" (501 mm)
 - Width: 13-1/4" (337 mm)
 - Bowl depth: 4-15/16" (126 mm)
 - With overflow: Yes
 - Water depth: 2-1/4" (58 mm)
- With overflow: Yes
- Drain hole: 1-3/4" (44 mm)
- Template: 1222633-7, required, included

Notes

Install this product according to the installation instructions.

NOTICE: Countertop manufacturer or cutter must use the cut-out template provided with the product, or a current one provided by Kohler Co. (call 1-800-4-KOHLER). Kohler Co. is not responsible for cutout errors when the incorrect cut-out template is used.

ADA, CSA B651 compliant when installed to the specific requirements of these regulations.