



Iron/Impressions®

Vanity-top Bathroom Sink

K-3051-1

Features

- Single faucet hole.
- Elongated oval basin.
- Combines with standard 36-inch vanities to create a complete sink.

Material

- KOHLER® enameled cast iron.

Installation

- Vanity top.

Recommended Products/Accessories

K-9018 P-Trap
K-23726 Drain treatment
K-23725 Cast iron cleaner



Codes/Standards

ASME A112.19.1/CSA B45.2

Lifetime Limited Warranty for KOHLER® Cast Iron Components

See website for detailed warranty information.

Available Colors/Finishes

Color tiles intended for reference only.

| Color | Code | Description |
|-------|------|---------------|
| | 0 | White |
| | FF | Sea Salt™ |
| | 96 | Biscuit |
| | NY | Dune |
| | 95 | Ice™ Grey |
| | G9 | Sandbar |
| | FT | Basalt |
| | RR | Ember™ |
| | KA | Black 'n Tan |
| | 7 | Black Black™ |
| | GRL | Grey Lavender |
| | DGB | Indigo Blue |
| | PLM | Black Plum |

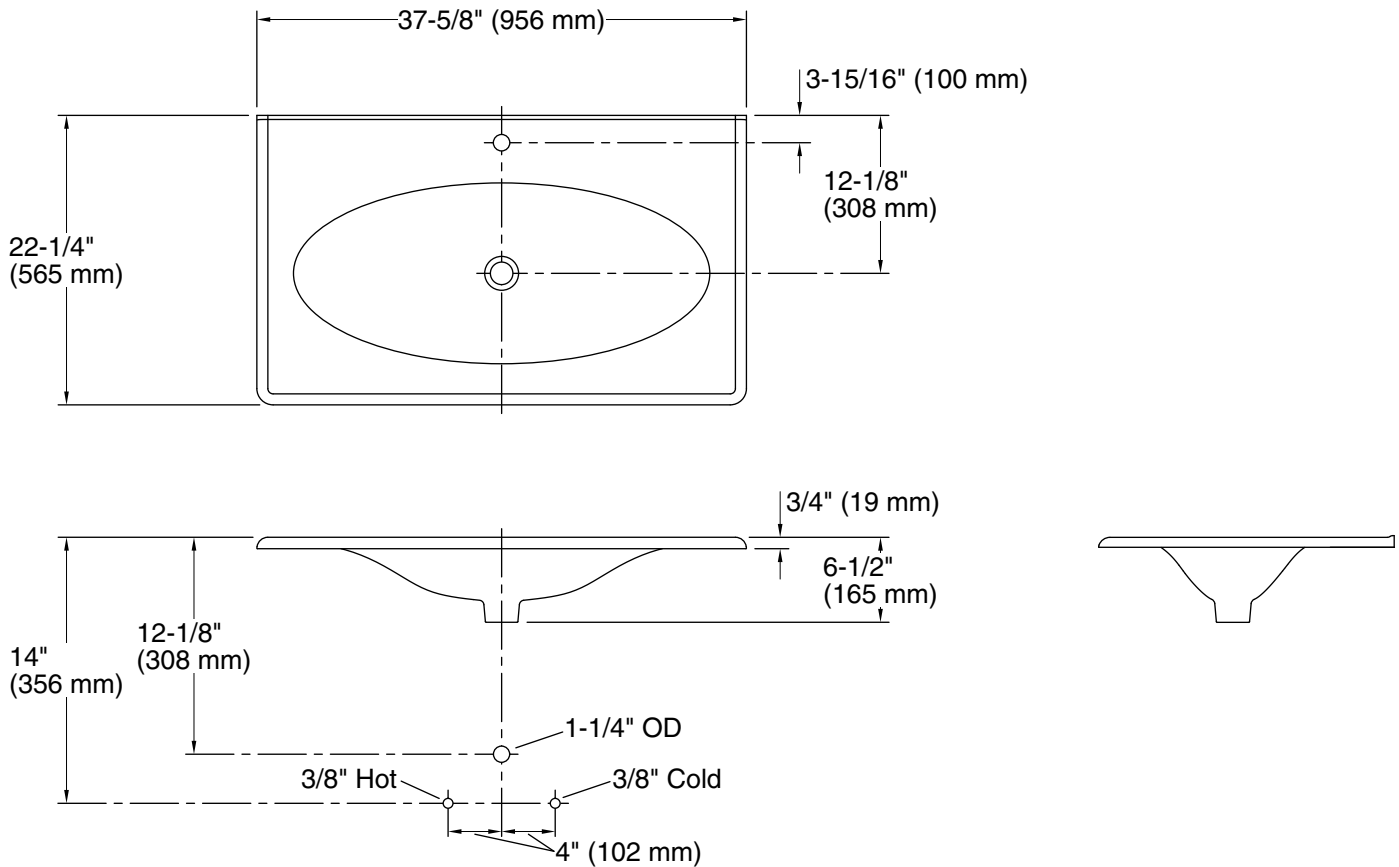
1-800-4KOHLER (1-800-456-4537)

Kohler Co. reserves the right to make revisions without notice to product specifications.

For the most current Specification Sheet, go to www.kohler.com.

10-4-2020 06:25 - US/CA

THE BOLD LOOK
OF **KOHLER**®



Technical Information

All product dimensions are nominal.

| | |
|-----------------------|---|
| Bowl configuration: | Single |
| Installation: | Vanity top/ITB |
| Bowl area (Only): | Length: 32" (813 mm) Width: 13-7/8" (352 mm) |
| Number of deck holes: | 1 |
| Faucet hole(s): | 1-3/8" (35 mm) |
| Drain hole: | 1-3/4" (44 mm) |

Notes

Install this product according to the installation instructions.

NOTE: When selecting a faucet for this bathroom sink, ensure the faucet has a spout reach of 4-1/2" (114 mm) to 5" (127 mm) and has a spout height of 3" (76 mm) to 6" (152 mm).

Product does not have an overflow.