



see what Delta can do™

LAVATORY FAUCETS

- Pivotal™ Bath Collection
- Single Handle Deck Mount

STANDARD SPECIFICATIONS:

- Max. 1.2 gpm @ 60 psi, 4.5 L/min @ 414 kPa
- One or three hole mount (escutcheon included)
- Solid brass fabricated body
- Diamond coated ceramic cartridge
- 3/8" O.D. straight, staggered PEX supply tubes
- Models have metal drain with pop-up type fitting with plated flange and stopper
- "LPU" models less pop-up drain; no lift rod hole
- Drain operates using vertical slide mechanism
- Red/blue indicator markings

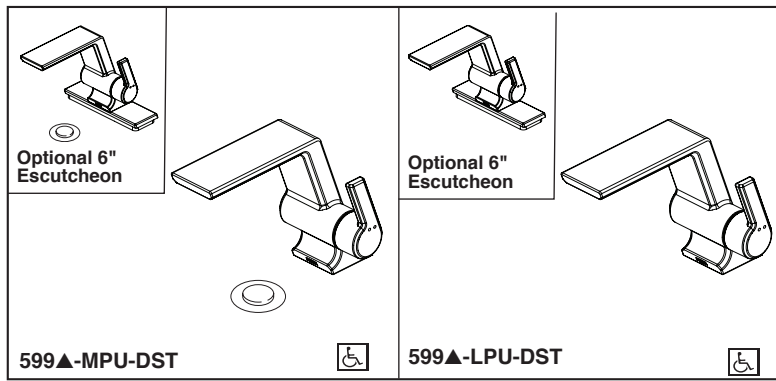
WARRANTY

- Lifetime limited warranty on parts (other than electronic parts and batteries) and finishes; or, for commercial users, for 5 years from date of purchase.
- 5 year limited warranty on electronic parts (other than batteries); or, for commercial users, for 1 year from the date of purchase. No warranty is provided on batteries.



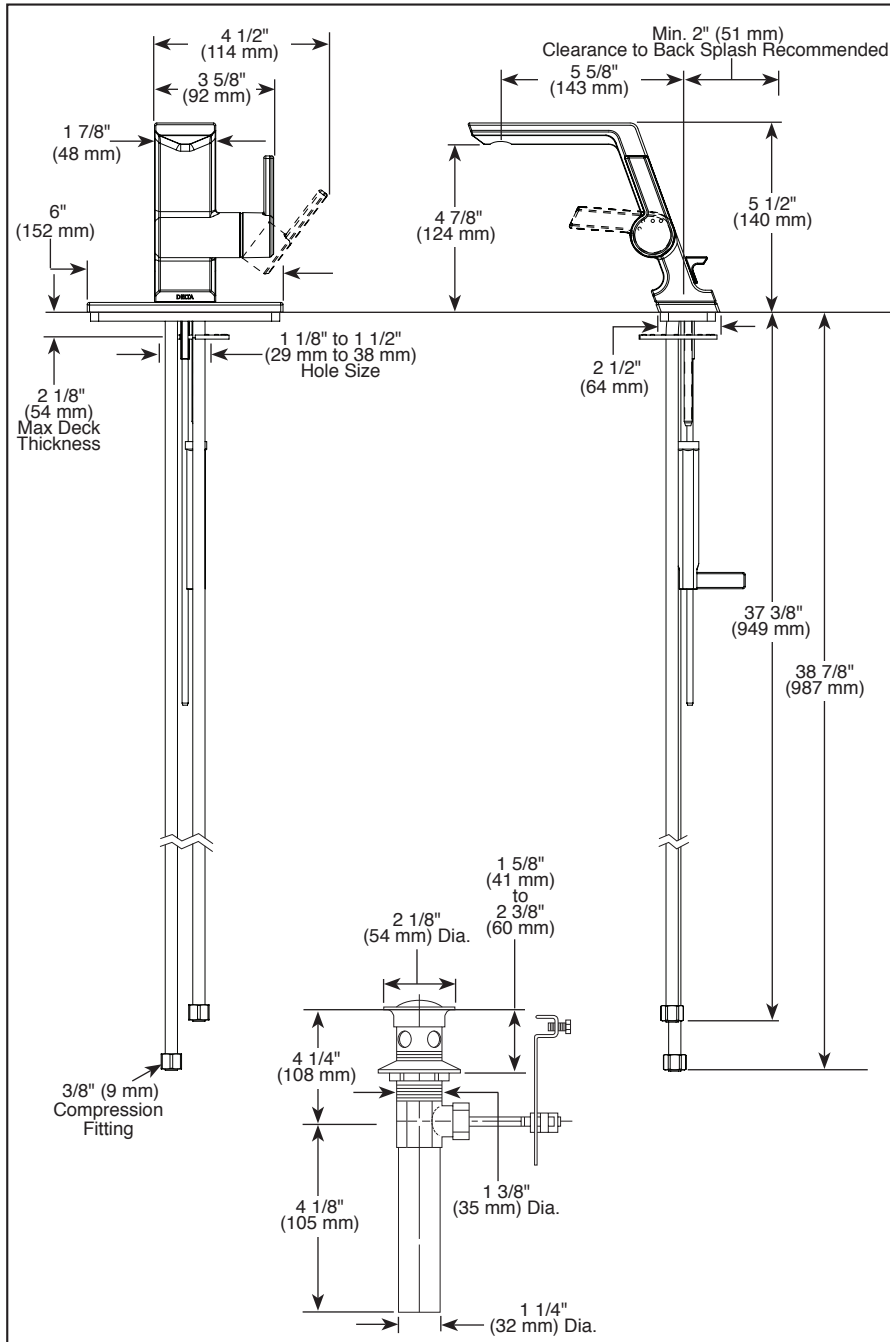
COMPLIES WITH:

- ASME A112.18.1 / CSA B125.1
- ASME A112.18.2 / CSA B125.2
- Indicates compliance to ICC/ANSI A117.1
- EPA WaterSense®



Submitted Model No.: _____

Specific Features: _____



▲ Designate Proper Finish Suffix

Delta reserves the right (1) to make changes in specifications and materials, and (2) to change or discontinue models, both without notice or obligation. Dimensions are for reference only. See current full-line price book or www.deltafaucet.com for finish options and product availability.

DSP-L-599-MPU-DST Rev. D

Delta Faucet Company

55 E. 111th Street, Indianapolis, IN 46280
 350 South Edgeware Road, St. Thomas, ON N5P 4L1
 © 2018 Delta Faucet Company