



# Underscore® Rectangle

## 5' VibrAcoustic® BubbleMassage™ Bath

### K-1167-GVL



#### Features

- VibrAcoustic calms and soothes with sound vibration technology.
- Six concealed speakers send sound waves through the water to gently massage the body.
- Four original instrumental compositions offer different levels of relaxation.
- Syncs with devices enabled with BLUETOOTH® wireless technology including smartphones, MP3 players, tablets, and laptops located up to 33 feet away.\*
- Customize your experience with the high-resolution color touch screen.
- Fully adjustable volume above and below the water.
- Functions as a hydrotherapy bath when full of water and a stereo system when empty.
- 122 airjets release thousands of bubbles that surround, support, and massage the body.
- Variable-speed blower lets you adjust massage intensity to 18 levels.
- Zones of Control feature allows you to target massage to back, midsection, or feet.
- Molded lumbar support offers extra comfort while bathing.
- Integral flange helps prevent water from seeping behind wall and simplifies alcove installation.
- Clearflo slotted overflow for deep soaking.
- Includes 25 feet of wiring and amplifier.
- Immediate and manual purge cycles remove residual water from air channels after use.
- Requires K-7271 or K-7272 Clearflo slotted overflow bath drain (sold separately).
- Left-hand drain.

#### Material

- Acrylic

#### Hydrotherapy

- VibrAcoustic
- BubbleMassage

#### Installation

- Three-wall alcove.

#### Additional Hydrotherapy Options

- Soaking Bath - K-1121-L
- Soaking Bath + Bask heated surface - K-1121-LW
- BubbleMassage air bath - K-1167-LFG
- BubbleMassage air bath + chromatherapy - K-1167-LGCR
- VibrAcoustic + BubbleMassage air bath - K-1167-GVL
- VibrAcoustic + BubbleMassage air bath + Bask heated surface + chromatherapy - K-1167-GVCLW



#### Codes/Standards

ASME A112.19.7/CSA B45.10  
 CSA B45.5/IAPMO Z124  
 ASTM E162  
 ASTM E662  
 UL 1795  
 Greenguard UL 2818 - Gold

**KOHLER® Plastic Baths and Receptors  
 Lifetime Limited Warranty  
 KOHLER® Hydrotherapy Components  
 Five-Year Limited Warranty**

See website for detailed warranty information.

The BLUETOOTH® word mark and logos are registered trademarks owned by Bluetooth SIG, Inc. and any use of such marks by Kohler Co. is under license. Other trademarks and trade names are those of their respective owners.

#### Available Colors/Finishes

*Color tiles intended for reference only.*

Color	Code	Description
	0	White
	96	Biscuit
	47	Almond
	NY	Dune
	95	Ice™ Grey
	G9	Sandbar
	33	Mexican Sand™
	K4	Cashmere

1-800-4KOHLER (1-800-456-4537)

Kohler Co. reserves the right to make revisions without notice to product specifications.

For the most current Specification Sheet, go to [www.kohler.com](http://www.kohler.com).

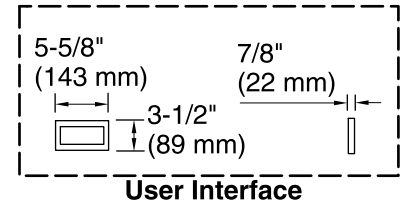
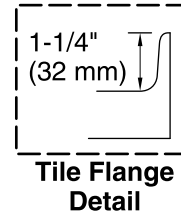
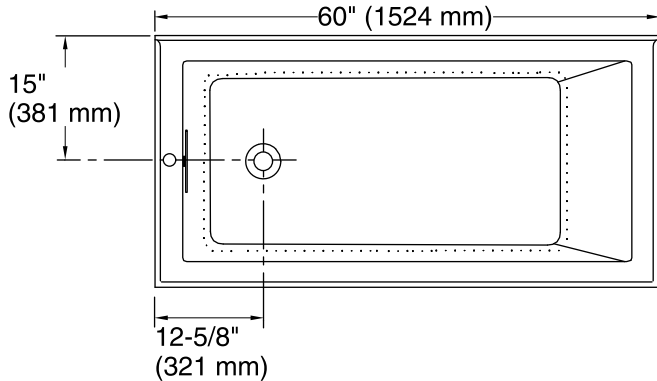
5-2-2019 04:35 - US

THE BOLD LOOK  
 OF **KOHLER**®

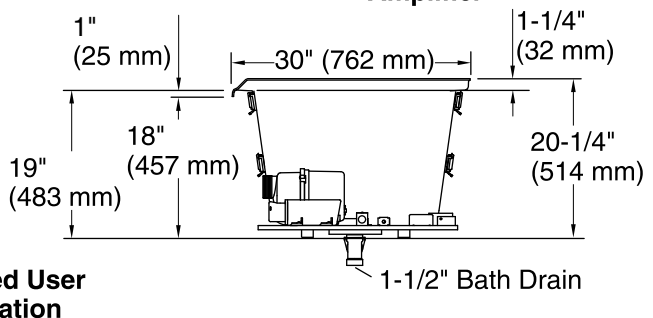
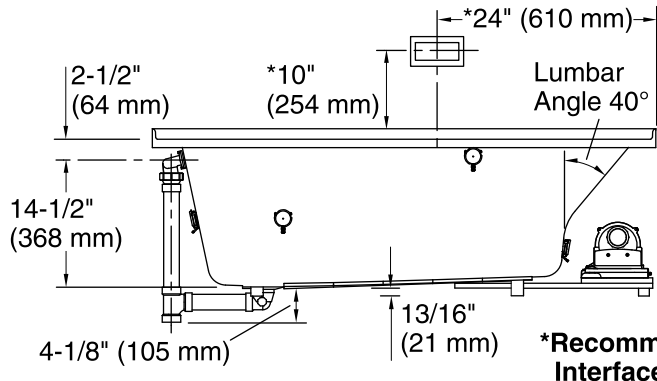
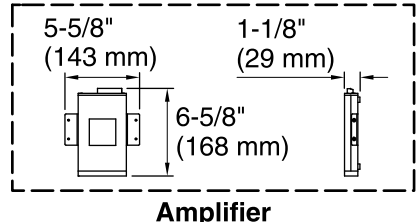


# Underscore® Rectangle 5' VibrAcoustic® BubbleMassage™ Bath K-1167-GVL

No change in measurement if connected with drain illustrated. (K-7272)



Control Access  
30" (762 mm) W  
x 15" (381 mm) H  
Min



**\*Recommended User Interface Location**

## Required Electrical Service

One dedicated circuit required, protected with Class A Ground-Fault Circuit-Interrupter (GFCI) or Residual Current Device (RCD).

Blower, Amplifier: 120 V, 15 A, 60 Hz

## Technical Information

All product dimensions are nominal.

- Installation: Three-wall alcove
- Drain location: Left
- Basin area, bottom: 42-3/8" x 20" (1076 mm x 508 mm)
- Basin area, top: 54-3/8" x 24-5/16" (1381 mm x 618 mm)
- Weight: 110 lbs (49.9 kg)
- Minimum floor load: 50 lbs/ft<sup>2</sup> (244.1 kg/m<sup>2</sup>)
- Water depth: 15-1/16" (383 mm)
- Water capacity: 59.8 gal (226.4 L)
- Electrical component rating: Blower: 120 V, 10 A, 60 Hz  
Amplifier: 120 V, 1.1 A, 50/60 Hz
- Amplifier channels: 2 at 15 W per channel  
2 at 30 W per channel
- Blower speed: Variable
- Minimum flat for door: 2-1/2" (63 mm)

## Notes

Measure your actual product for rough-in details. Install this product according to the installation instructions.

The hot water supply should be 70% of the capacity of the bath or greater. Installations will vary.

Provide one grounded electrical outlet within 24" (610 mm) of each component.

Control amplifier fits 16" (406 mm) center studs. 25' (7.6 m) cables are included.

One electrical service may be used for the entire bath and related electrical components.

Remote blower installation kit K-1446 is available for relocating the blower. Provide access for servicing the blower.

Do not relocate or alter the PVC tee or coiled flexible tubing connected to the blower. Follow the blower relocation instructions exactly.