



# Inia® Wading Pool®

Vessel Bathroom Sink  
K-2773

## Features

- Deep rectangular basin in translucent glass with rippled texture.
- No faucet holes; requires wall- or counter-mount faucet.
- Glass material provides a strong, durable surface that is easy to clean.
- The Inia sink is available in clear glass (Ice), Translucent colors, and Opaque colors.

## Material

- Glass

## Installation

- Vessel

## Included Components

Additional Components:  
1197255



ADA

## Codes/Standards







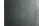
CSA B45.11/IAPMO Z401  
ADA  
ICC/ANSI A117.1

## KOHLER® One-Year Limited Warranty

See website for detailed warranty information.

## Available Colors/Finishes

*Color tiles intended for reference only.*

Color	Code	Description
	B11	Ice
	TG1	Translucent Dusk
	TG2	Translucent Dew
	TG3	Translucent Doe
	TG6	Translucent Sapphire
	TG7	Translucent Sandalwood
	TG8	Translucent Stone

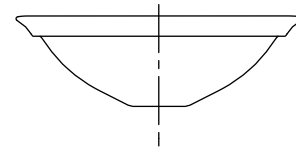
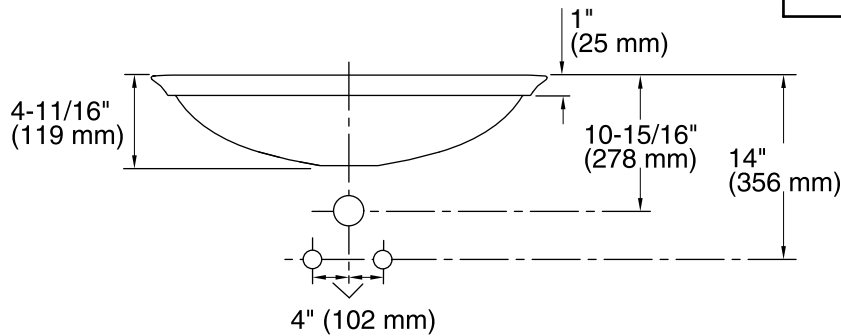
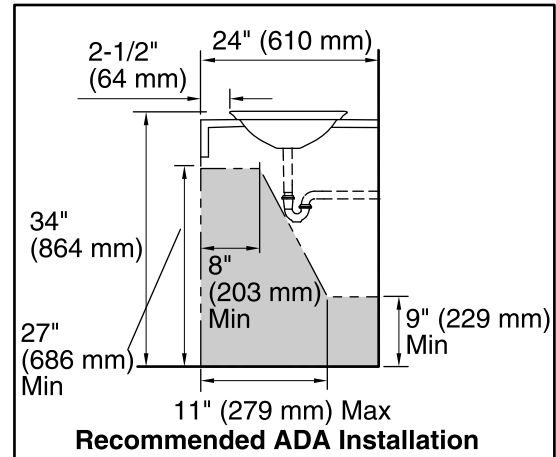
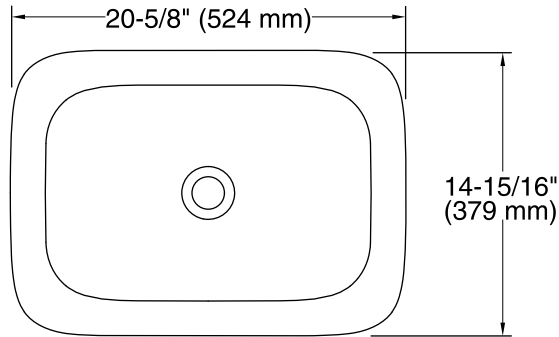
1-800-4KOHLER (1-800-456-4537)

Kohler Co. reserves the right to make revisions without notice to product specifications.

For the most current Specification Sheet, go to [www.kohler.com](http://www.kohler.com).

4-25-2019 20:25 - US/CA

THE BOLD LOOK  
OF **KOHLER**®



### Technical Information

All product dimensions are nominal.

Installation: Vessel

Template: 1190263-7, not required, included

### Notes

Install this product according to the installation instructions.

Product does not have an overflow.

**NOTICE:** Countertop manufacturer or cutter must use the cut-out template provided with the product, or a current one provided by Kohler Co. (call 1-800-4KOHLER). Kohler Co. is not responsible for cut-out errors when the incorrect cut-out template is used.

Product must be installed with the supplied drain gasket kit.

ADA compliant when installed to the specific requirements of these regulations.