



Features

- VibrAcoustic calms and soothes with sound vibration technology.
- Six concealed speakers send sound waves through the water to gently massage the body.
- Four original instrumental compositions offer different levels of relaxation.
- Syncs with devices enabled with BLUETOOTH® wireless technology including smartphones, MP3 players, tablets, and laptops located up to 33 feet away.*
- Customize your experience with the high-resolution color touch screen.
- Fully adjustable volume above and below the water.
- Functions as a hydrotherapy bath when full of water and a stereo system when empty.
- Bask® heated surface creates spa-like relaxation with soothing warmth on your back and neck.
- Three heat settings allow you to customize the surface temperature.
- Hourglass shape adds style and elegance to your bathroom.
- Generous 6-foot length provides an incredibly spacious bathing area.
- Integral apron.
- Integral flange helps prevent water from seeping behind wall and simplifies alcove installation.
- Textured bottom surface.
- Left-hand drain.
- Includes 25 feet of wiring and amplifier.

Material

- Acrylic

Hydrotherapy

- VibrAcoustic

Installation

- Three-wall alcove.
- Requires 110V electrical service.

Additional Hydrotherapy Options

- Soaking Bath - K-1259-LA
- Soaking Bath + Bask heated surface - K-1259-LAW
- BubbleMassage air bath - K-1257-GLA
- BubbleMassage air bath + Bask heated surface - K-1257-GLAW
- VibrAcoustic - K-1257-VBLA
- VibrAcoustic + Bask heated surface - K-1257-VBLAW
- Whirlpool - K-1257-LA
- Whirlpool + heater - K-1257-HL
- Whirlpool + Bask heated surface - K-1257-LAW



Codes/Standards

CSA B45.5/IAPMO Z124
ASTM E162
ASTM E662
UL 1795
CSA C22.2 No. 218.2
Greenguard UL 2818 - Gold






KOHLER® Plastic Baths and Receptors Lifetime Limited Warranty

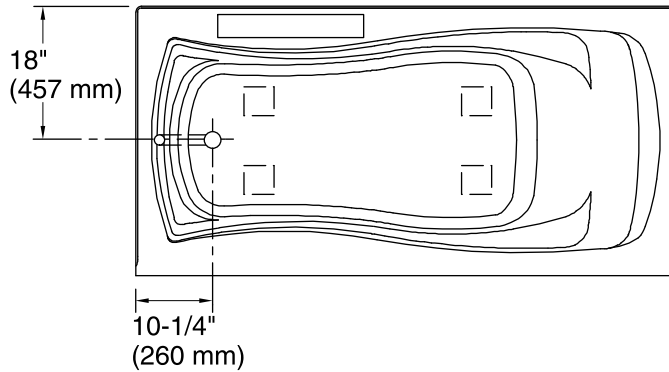
See website for detailed warranty information.

The BLUETOOTH® word mark and logos are registered trademarks owned by Bluetooth SIG, Inc. and any use of such marks by Kohler Co. is under license. Other trademarks and trade names are those of their respective owners.

Available Colors/Finishes

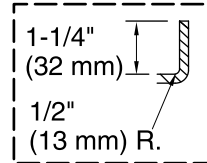
Color tiles intended for reference only.

| Color | Code | Description |
|--------------------------------------------------------------------------------------|------|-------------|
|  | 0 | White |
|  | 96 | Biscuit |
|  | 47 | Almond |
|  | NY | Dune |
|  | G9 | Sandbar |

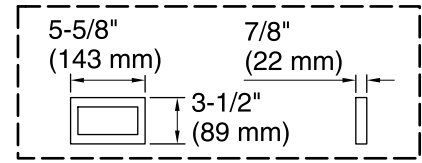


No change in measurements if connected with drain illustrated. (K-7166-AF)

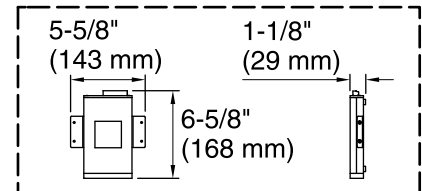
☐ Recommended Faucet Location



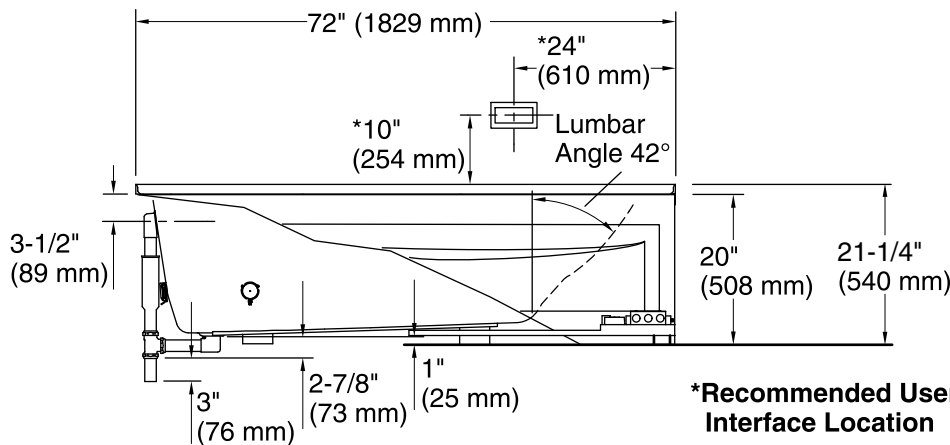
Integral Flange Detail



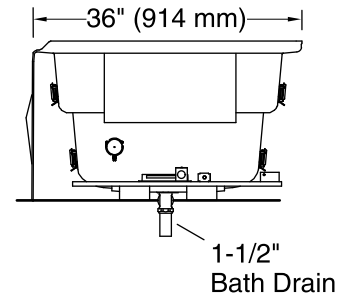
User Interface



Amplifier



***Recommended User Interface Location**



Required Electrical Service

One circuit required, protected with Class A Ground-Fault Circuit-Interrupter (GFCI) or Residual Current Device (RCD).

Amplifier, Heated Surface: 120 V, 15 A, 50/60 Hz

Technical Information

All product dimensions are nominal.

| | |
|------------------------------|-----------------------------------------------------------------------------------|
| Installation: | Three-wall alcove |
| Drain location: | Left |
| Basin area, bottom: | 50" x 24" (1270 mm x 610 mm) |
| Basin area, top: | 65" x 27" (1651 mm x 686 mm) |
| Weight: | 88 lbs (39.9 kg) |
| Minimum floor load: | 40 lbs/ft ² (195.3 kg/m ²) |
| Water depth: | 14" (356 mm) |
| Water capacity: | 72 gal (272.5 L) |
| Electrical component rating: | Amplifier: 120 V, 1.1 A, 50/60 Hz Heated Surface: 120 V, 0.5 A, 50/60 Hz, 65 W |
| Amplifier channels: | 2 at 15 W per channel 2 at 30 W per channel |
| Minimum flat for door: | 2-1/8" (54 mm) |

Notes

Measure your actual product for rough-in details. Install this product according to the installation instructions.

The hot water supply should be 70% of the capacity of the bath or greater. Installations will vary.

Control amplifier fits 16" (406 mm) center studs. 25' (7.6 m) cables are included.

If installing a rim-mount faucet, make sure there is no interference above or below the deck before drilling any holes.