



#### Features

- Bask® heated surface creates spa-like relaxation with soothing warmth on your back and neck.
- Three heat settings allow you to customize the surface temperature.
- Generous 6-foot length provides an incredibly spacious bathing area.
- Reversible drain.
- Coordinates with other products in the Memoirs collection.

#### Material

- Acrylic

#### Installation

- Drop-in

#### Recommended Accessories

K-7161-AF Bath Drain

K-24916 Wireless Music Kit



#### Codes/Standards

CSA B45.5/IAPMO Z124

ASTM E162

ASTM E662

UL 1795

CSA C22.2 No. 218.2

Greenguard UL 2818 - Gold

**KOHLER® Plastic Baths and Receptors  
Lifetime Limited Warranty**






**KOHLER® Hydrotherapy Components  
Five-Year Limited Warranty**

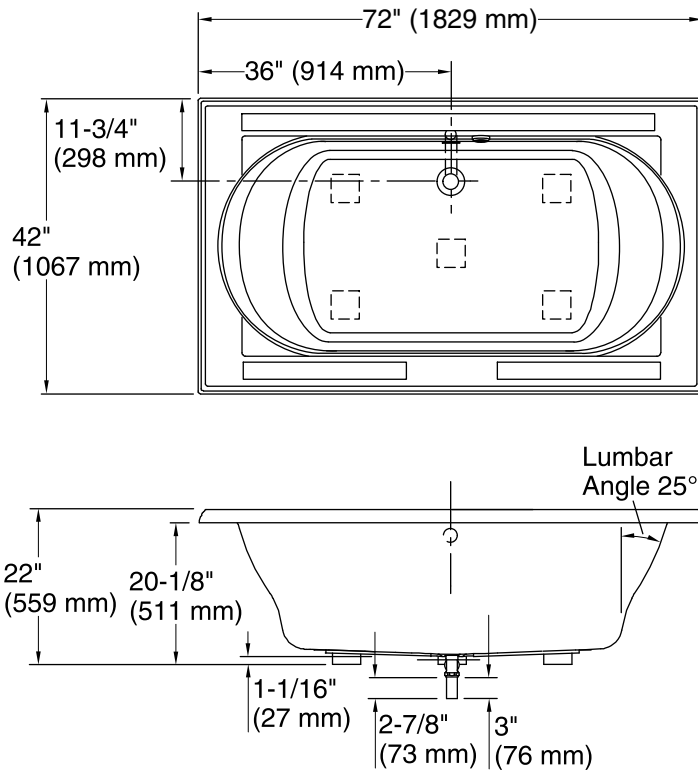
See website for detailed warranty information.

#### Available Color/Finishes


*Color tiles intended for reference only.*

##### Color Code Description

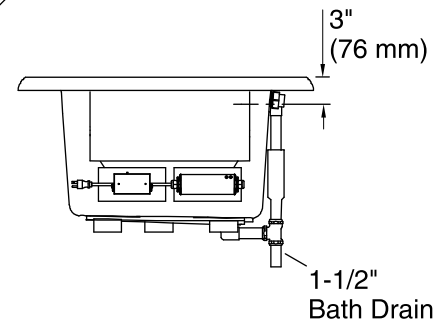
	0	White
	96	Biscuit
	47	Almond
	NY	Dune
	G9	Sandbar



No change in measurements if connected with drain illustrated. (K-7161-AF)

 Recommended Faucet Location

Access Panel  
20" (508 mm) L x  
15" (381 mm) H Min



### Required Electrical Service

One circuit required, protected with Class A Ground-Fault Circuit-Interrupter (GFCI) or Residual Current Device (RCD).

Heated Surface: 120 V, 15 A

### Technical Information

All product dimensions are nominal.

Installation:	Drop-in
Drain location:	Center
Basin area, bottom:	48" x 27" (1219 mm x 686 mm)
Basin area, top:	60" x 30" (1524 mm x 762 mm)
Weight:	86 lbs (39 kg)
Minimum floor load:	43 lbs/ft <sup>2</sup> (209.9 kg/m <sup>2</sup> )
Water depth:	16" (406 mm)
Water capacity:	94 gal (355.8 L)
Cutout:	Drop-in, 70-1/2" x 40-1/2" (1791 mm x 1029 mm)
Electrical component rating:	Heated Surface: 120 V, 0.5 A, 60 Hz, 65 W

### Notes

Measure your actual product for rough-in details. Install this product according to the installation instructions.

The hot water supply should be 70% of the capacity of the bath or greater. Installations will vary.

This bath is designed for drop-in installation only. It is not suited for use in a three wall alcove with an overhead shower.

If installing a rim-mount faucet, make sure there is no interference above or below the deck before drilling any holes.