



WaterCove® Wading Pool®

Above-Counter Bathroom Sink
K-2332

Features

- Unique shallow basin.
- No faucet holes; requires wall- or counter-mount faucet.

Material

- Vitreous china.

Installation

- Vessel

Required Accessories

K-7127 Drain

or

K-7129 Drain

Recommended Accessories

K-9018 P-Trap

K-14406-3 Widespread Bathroom Sink Faucet

K-14406-4 Widespread Bathroom Sink Faucet



ADA

Codes/Standards

ASME A112.19.2/CSA B45.1

ADA

ICC/ANSI A117.1


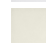

KOHLER® One-Year Limited Warranty

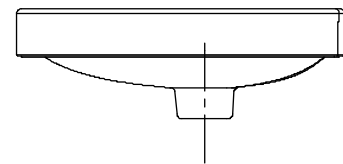
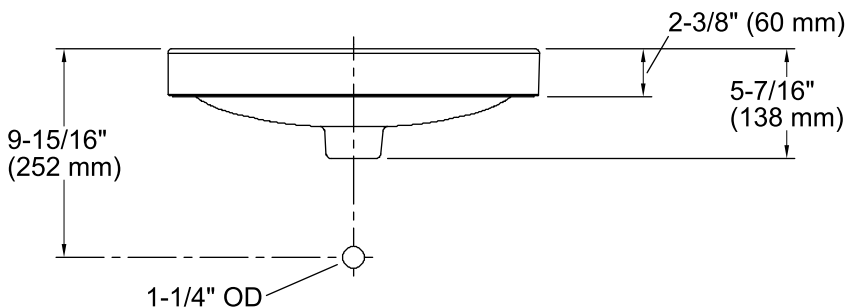
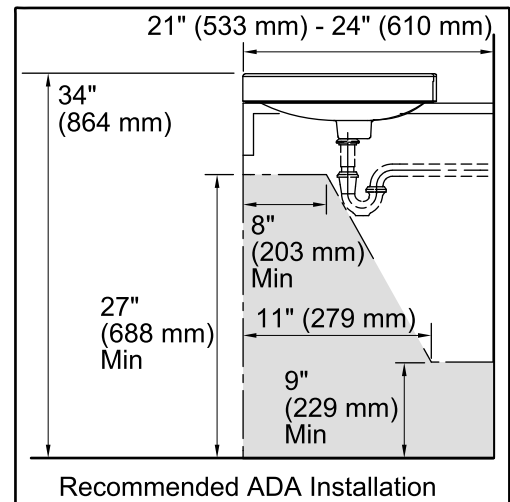
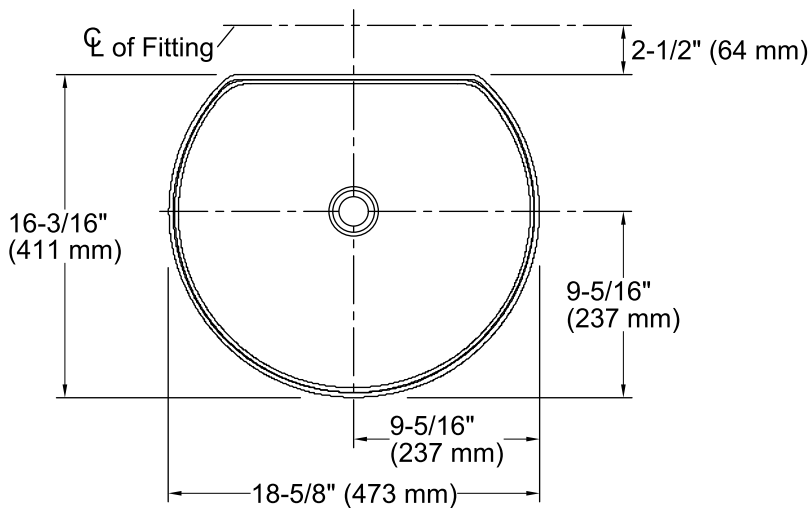
See website for detailed warranty information.

Available Color/Finishes

Color tiles intended for reference only.

Color	Code	Description
-------	------	-------------

	0	White
	96	Biscuit
	47	Almond



Technical Information

All product dimensions are nominal.

Bowl configuration:	Single
Installation:	Vessel
Bowl area (Only):	Length: 17-11/16" (449 mm) Width: 15-5/16" (389 mm) Water depth: 3-1/2" (89 mm)
Drain hole:	1-3/4" (44 mm)
Template:	1020955-7, required, included

Notes

Install this product according to the installation instructions.

Product does not have an overflow.

Choose a faucet that will provide adequate clearance and will direct the water stream to the center of the bathroom sink.

IMPORTANT! Product rests on a countertop. Consider height of product when planning the installation.

NOTICE: Countertop manufacturer or cutter must use the cut-out template provided with the product, or a current cut-out template provided by Kohler (call 1-800-4KOHLER). Kohler is not responsible for cutout errors when incorrect cut-out template is used.

ADA compliant when installed to the specific requirements of these regulations.