



Features

- 4 Riverjets and 8 hydromassage jets can be individually adjusted for water flow and direction.
- 2 variable-speed pumps for adjusting massage intensity.
- Built-in heater.
- Lighted keypad.
- Floating remote control.
- Integral fill with factory-installed faucet valves.
- Spacious design accommodates multiple bathers.
- Drilled for grab bars (required); sold separately.
- Jet trim kit (required); sold separately.
- Three pillows provide extra comfort.

Material

- Acrylic

Hydrotherapy

- RiverBath Whirlpool

Installation

- Drop-in

Required Accessories

- K-9398 Whirlpool Trim Kit
- K-9669 Hand Grab Bars
- K-T9540-4 Transfer Valve Trim

Recommended Accessories

- K-7167 Clearflo Bath Drain



Codes/Standards

- ASME A112.19.7/CSA B45.10
- CSA B45.5/IAPMO Z124
- ASTM E162
- ASTM E662
- UL 1795
- CSA C22.2 No. 218.2
- Greenguard UL 2818 - Gold



**KOHLER® Plastic Baths and Receptors
Lifetime Limited Warranty
KOHLER® Hydrotherapy Components
Five-Year Limited Warranty**

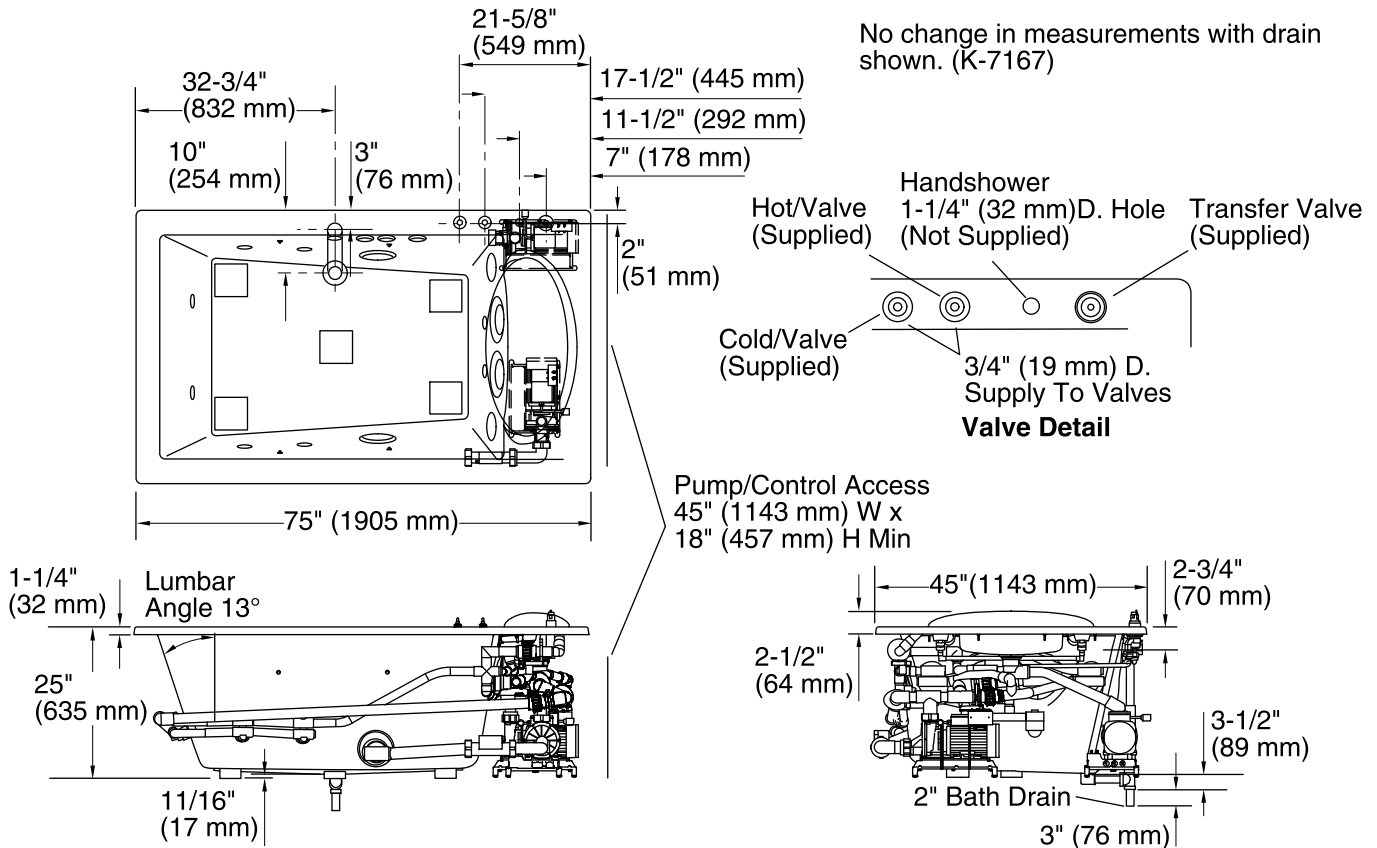
See website for detailed warranty information.

Available Color/Finishes

Color tiles intended for reference only.

Color Code Description

	0	White
	96	Biscuit



Required Electrical Service

Two dedicated circuits required, protected with Class A Ground-Fault Circuit-Interrupter (GFCI) or Residual Current Device (RCD).

Pump, Pump: 240 V, 20 A, 50/60 Hz
Heater: 240 V, 20 A, 50/60 Hz

Technical Information

All product dimensions are nominal.

Installation: Drop-in
Drain location: Center
Basin area, bottom: 46" x 34" (1168 mm x 864 mm)
Basin area, top: 57" x 37" (1448 mm x 940 mm)
Weight: 215 lbs (97.5 kg)
Minimum floor load: 62 lbs/ft² (302.7 kg/m²)
Water depth: 20" (508 mm)
Water capacity: 149 gal (564 L)
Template: Drop-in, 1000153-7, required, included
Electrical component rating: Pump: 240 V, 9 A, 50/60 Hz
Pump: 240 V, 9 A, 50/60 Hz
Heater: 240 V, 17 A, 50/60 Hz, 4000 W
Pump speed: Variable

Notes

Measure your actual product for rough-in details. Install this product according to the installation instructions.

The hot water supply should be 70% of the capacity of the bath or greater. Installations will vary.

Consult local and national codes for minimum air gap requirements when installing a spout on the faucet deck other than that supplied.