



### Features

- Bask® heated surface creates spa-like relaxation with soothing warmth on your back and neck.
- Three heat settings allow you to customize the surface temperature.
- Comfort Depth® design offers a convenient 19-inch step-over height while retaining the same depth as a standard 21-inch bath.
- Molded lumbar support and armrests offer extra comfort while bathing.
- Slotted overflow allows for deep soaking.
- Integral apron.
- Integral flange helps prevent water from seeping behind wall and simplifies alcove installation.
- Textured bottom surface
- Right-hand drain.
- Requires K-7271 or K-7272 Clearflo slotted overflow bath drain (sold separately).
- Coordinates with other products in the Archer collection.

### Material

- Acrylic

### Installation

- Three-wall alcove.

### Additional Hydrotherapy Options

- Soaking Bath - K-1123-RA
- Soaking Bath + Bask heated surface - K-1123-RAW
- BubbleMassage air bath - K-1122-GRA
- BubbleMassage air bath + Bask heated surface - K-1122-GRAW
- VibrAcoustic - K-1122-VBRA
- VibrAcoustic + Bask heated surface - K-1122-VBRAW
- Whirlpool - K-1122-RA
- Whirlpool + heater - K-1122-HR
- Whirlpool + Bask heated surface - K-1122-RAW
- Whirlpool + BubbleMassage air bath - K-1122-XHGRA

### Required Products/Accessories

K-7271 Brass Slotted Overflow Bath Drain

or

K-7272 PVC Slotted Overflow Bath Drain

### Recommended Products/Accessories

K-1491 Bath/Whirlpool Pillow

K-1601 Bath/Whirlpool Footstop

K-24916 Wireless Music Kit



### ADA

### Codes/Standards

CSA B45.5/IAPMO Z124

ASTM E162

ASTM E662

UL 1795

Greenguard UL 2818 - Gold

ADA

ICC/ANSI A117.1

### KOHLER® Plastic Baths and Receptors

### Lifetime Limited Warranty

### KOHLER® Hydrotherapy Components

### Five-Year Limited Warranty

See website for detailed warranty information.

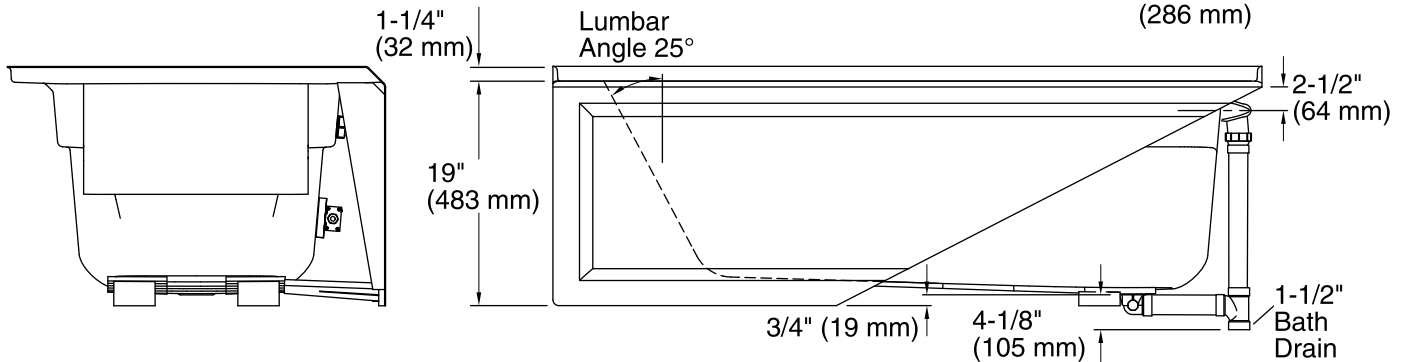
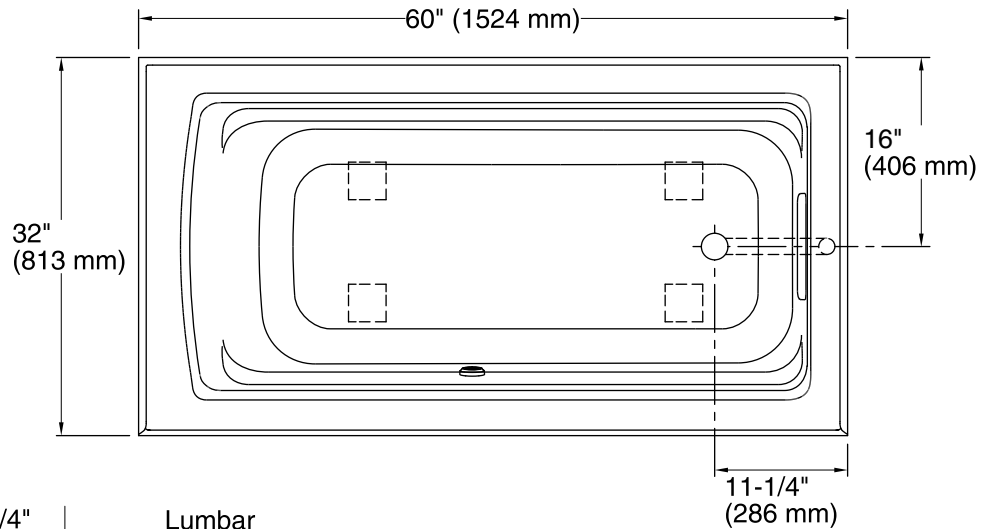
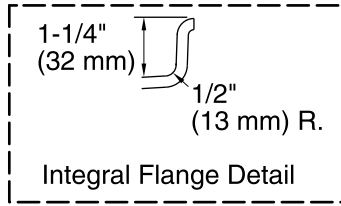
### Available Colors/Finishes

*Color tiles intended for reference only.*

#### Color Code Description

	0	White
	96	Biscuit
	47	Almond
	NY	Dune
	95	Ice™ Grey
	G9	Sandbar
	K4	Cashmere

No change in measurements if connected with drain illustrated. (K-7272)



### Required Electrical Service

One circuit required, protected with Class A Ground-Fault Circuit-Interrupter (GFCI) or Residual Current Device (RCD).

Heated Surface: 120 V, 15 A

### Technical Information

All product dimensions are nominal.

- Installation: Three-wall alcove
- Drain location: Right
- Basin area, bottom: 45-1/8" x 19-11/16" (1146 mm x 500 mm)
- Basin area, top: 52-3/4" x 25-5/16" (1340 mm x 643 mm)
- Weight: 80 lbs (36.3 kg)
- Minimum floor load: 45 lbs/ft<sup>2</sup> (219.7 kg/m<sup>2</sup>)
- Water depth: 15" (381 mm)
- Water capacity: 58 gal (219.6 L)
- Electrical component rating: Heated Surface: 120 V, 0.5 A, 60 Hz, 65 W
- Minimum flat for door: 2-3/16" (56 mm)

### Notes

Measure your actual product for rough-in details. Install this product according to the installation instructions.

The hot water supply should be 70% of the capacity of the bath or greater. Installations will vary.

ADA compliant when installed to the specific requirements of these regulations.