



Features

- 60"L x 36"W x 20"H
- Extra width enhances comfort
- Five adjustable whirlpool jets for maximum bather comfort
- Three-wall alcove installation
- Innovative technology enables this pump to provide a strong, steady level of hydro-massage
- Constructed of acrylic
- Integral apron for easy alcove installation and pump access
- Includes integral flange to simplify installation and prevent the possibility of water damage behind the wall
- Textured bottom surface

Hydrotherapy

- Whirlpool

Recommended Accessories

- K-7161-AF Bath Drain
- K-24916 Wireless Music Kit
- K-1491 Bath/Whirlpool Pillow
- K-1601 Bath/Whirlpool Footstop
- K-7213 27" Cable Bath Drain
- K-7214 27" Cable Bath Drain
- K-37380 30" Rough-in Cable Bath Drain
- K-37383 30" Rough-in Cable Bath Drain
- K-37386 30" Rough-in Cable Bath Drain



Codes/Standards

- ASME A112.19.7/CSA B45.10
- CSA B45.5/IAPMO Z124
- ASTM E162
- ASTM E662
- UL 1795
- Greenguard UL 2818 - Gold






**KOHLER® Plastic Baths and Receptors
Lifetime Limited Warranty
KOHLER® Hydrotherapy Components
Five-Year Limited Warranty**

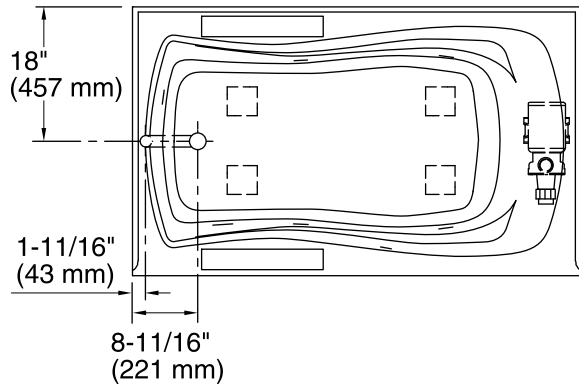
See website for detailed warranty information.

Available Color/Finishes

Color tiles intended for reference only.

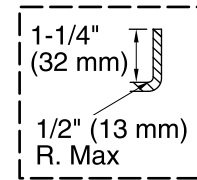
Color	Code	Description
-------	------	-------------

	0	White
	96	Biscuit
	47	Almond
	NY	Dune
	G9	Sandbar

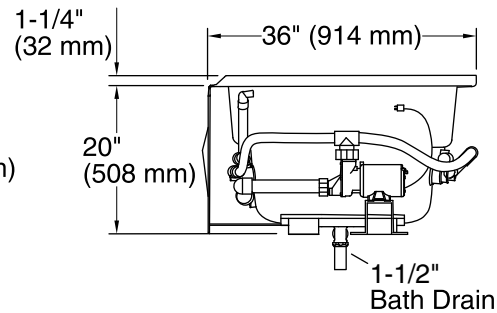
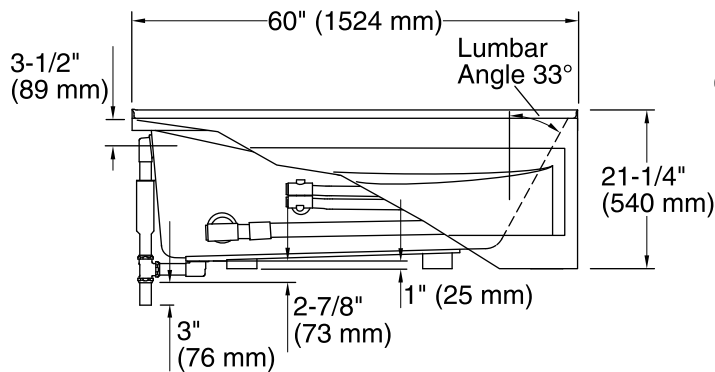


No change in measurements if connected with drain illustrated. (K-7161-AF)

 Recommended Faucet Location



Integral Flange Detail



Required Electrical Service

One dedicated circuit required, protected with Class A Ground-Fault Circuit-Interrupter (GFCI) or Residual Current Device (RCD).

Pump: 120 V, 15 A, 60 Hz

Technical Information

All product dimensions are nominal.

- Installation: 3-Wall Alcove
- Drain location: Left
- Basin area, bottom: 46" x 24" (1168 mm x 610 mm)
- Basin area, top: 54" x 27" (1372 mm x 686 mm)
- Weight: 105 lbs (47.6 kg)
- Minimum floor load: 44 lbs/ft² (214.8 kg/m²)
- Water depth: 14" (356 mm)
- Water capacity: 63 gal (238.5 L)
- Electrical component rating: Pump: 120 V, 7.5 A, 60 Hz
- Pump speed: Single
- Minimum flat for door: 2" (50 mm)

Notes

Measure your actual product for rough-in details. Install this product according to the installation instructions.

The hot water supply should be 70% of the capacity of the bath or greater. Installations will vary.

Provide one grounded electrical outlet within 24" (610 mm) of each component.

If installing a rim-mount faucet, make sure there is no interference above or below the deck before drilling any holes.