

### Features

- 4-inch center faucet holes.
- Oval basin.
- Overflow drain.
- Includes wall hanger.

### Material

- Vitreous china.

### Installation

- Wall-mount
- Drilled for concealed arm carrier installation.

### Optional Accessories

K-8998 P-Trap  
K-1998 Shroud

### Components

Additional included component/s: Hanger (2 required).



ADA

CSA B651

OBC

### Codes/Standards





ASME A112.19.2/CSA B45.1  
ADA  
ICC/ANSI A117.1  
CSA B651  
OBC

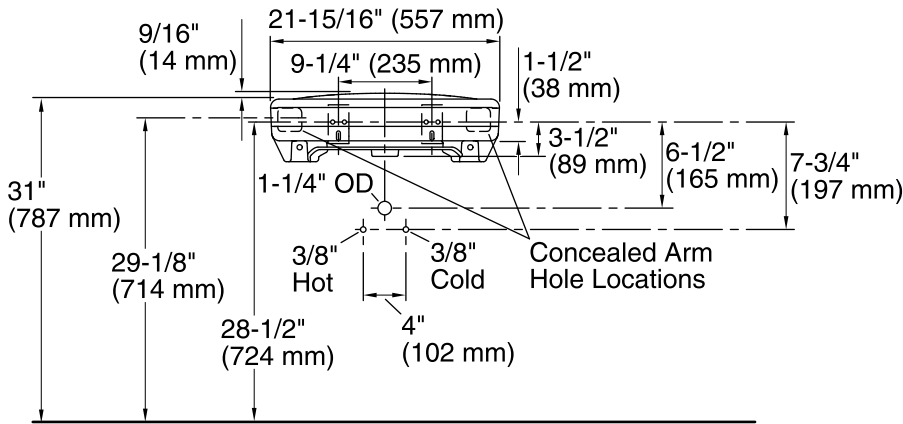
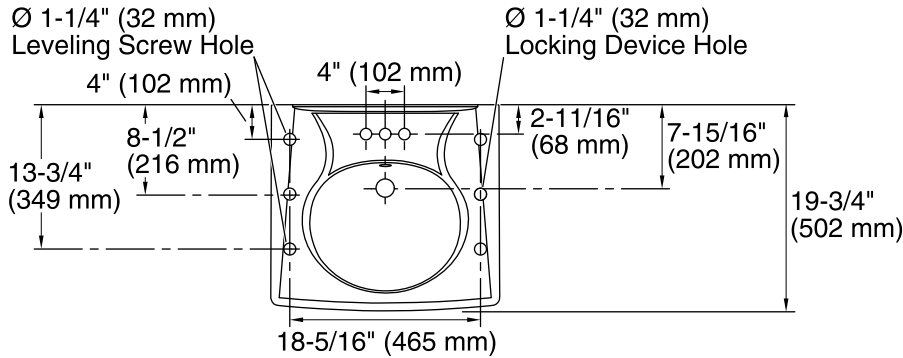
### KOHLER® One-Year Limited Warranty

See website for detailed warranty information.

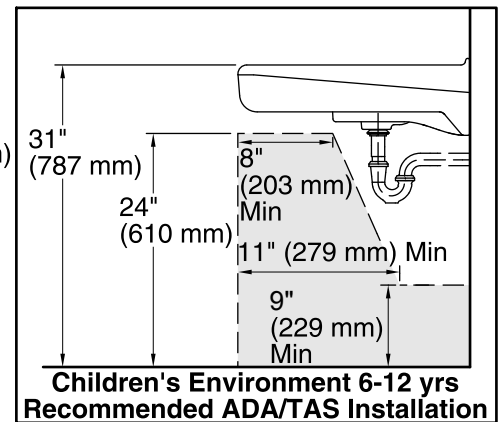
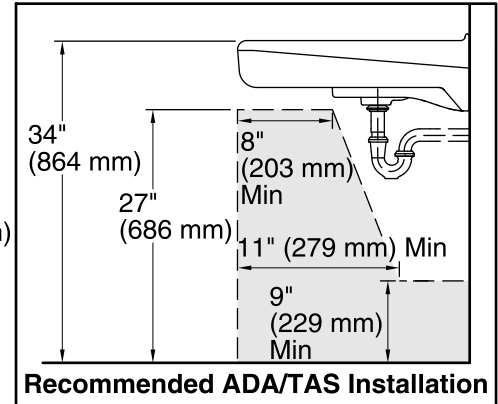
### Available Color/Finishes

*Color tiles intended for reference only.*

Color	Code	Description
	0	White
	96	Biscuit
	47	Almond
	7	Black Black™



**Standard Installation**



### Technical Information

All product dimensions are nominal.

- Bowl configuration: Single
- Installation: Wall-mount
- Bowl area (Only): Length: 14-3/8" (365 mm)  
 Width: 12-5/16" (313 mm)  
 With overflow: Yes  
 Water depth: 3-1/4" (83 mm)
- Number of deck holes: 3
- Faucet hole(s): 1-1/4" (32 mm)
- Drain hole: 1-3/4" (44 mm)

### Notes

- Install this product according to the installation instructions.
- ADA, OBC, CSA B651 compliant when installed to the specific requirements of these regulations.