



Underscore® Rectangle

6' VibrAcoustic® Bath

K-1835-VBC



Features

- VibrAcoustic calms and soothes with sound vibration technology.
- Six concealed speakers send sound waves through the water to gently massage the body.
- Four original instrumental compositions offer different levels of relaxation.
- Syncs with devices enabled with BLUETOOTH® wireless technology including smartphones, MP3 players, tablets, and laptops located up to 33 feet away.*
- Customize your experience with the high-resolution color touch screen.
- Fully adjustable volume above and below the water.
- Functions as a hydrotherapy bath when full of water and a stereo system when empty.
- Chromatherapy lighting allows you to select a preferred color scheme to suit your mood.
- Generous 6-foot length provides an incredibly spacious bathing area.
- Clearflo slotted overflow for deep soaking.
- Center drain.
- Includes 25 feet of wiring and amplifier.

Material

- Acrylic

Hydrotherapy

- VibrAcoustic
- Chromatherapy

Installation

- Drop-in or under-mount.
- Requires 110V electrical service.

Additional Hydrotherapy Options

- Soaking Bath - K-1834-0
- Soaking Bath + Bask heated surface - K-1834-W1
- BubbleMassage air bath - K-1835-G
- BubbleMassage air bath + chromatherapy - K-1835-GCR
- VibrAcoustic + BubbleMassage air bath - K-1835-GVB
- VibrAcoustic + BubbleMassage air bath + Bask heated surface + chromatherapy - K-1835-GVBCW
- BubbleMassage air bath + Bask heated surface - K-1835-GW
- Whirlpool + heater - K-1835-H2
- VibrAcoustic - K-1835-VB
- VibrAcoustic + chromatherapy - K-1835-VBC
- VibrAcoustic + chromatherapy + Bask heated surface - K-1835-VBCW
- VibrAcoustic + Bask heated surface - K-1835-VBW
- Whirlpool + BubbleMassage air bath - K-1835-XH2G



Codes/Standards



CSA B45.5/IAPMO Z124
 ASTM E162
 UL 1795
 CSA C22.2 No. 218.2
 Greenguard UL 2818 - Gold

KOHLER® Plastic Baths and Receptors Lifetime Limited Warranty

See website for detailed warranty information.

Available Colors/Finishes

Color tiles intended for reference only.

Color	Code	Description
	0	White
	7	Black Black™

1-800-4KOHLER (1-800-456-4537)

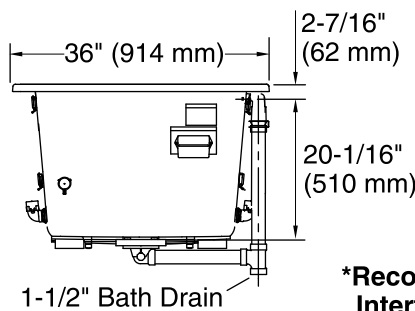
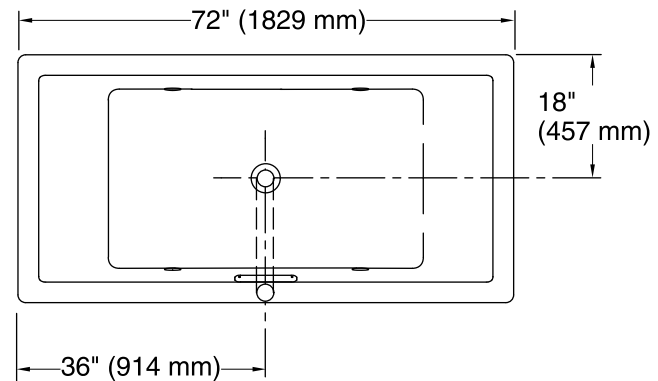
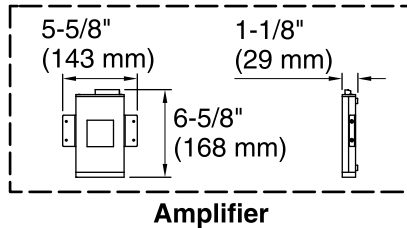
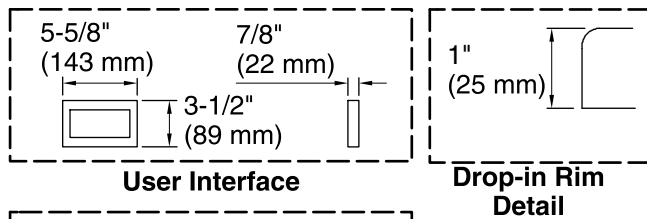
Kohler Co. reserves the right to make revisions without notice to product specifications.

For the most current Specification Sheet, go to www.kohler.com.

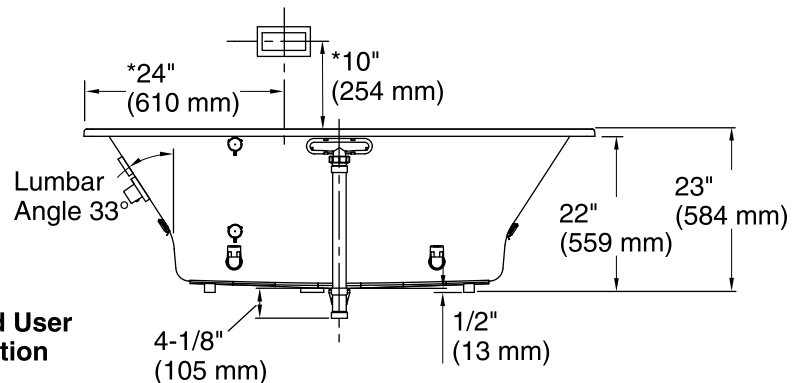
5-2-2019 05:38 - US/CA

THE BOLD LOOK
 OF **KOHLER**®

No change in measurement if connected with drain illustrated. (K-7272)



***Recommended User Interface Location**



Required Electrical Service

One circuit required, protected with Class A Ground-Fault Circuit-Interrupter (GFCI) or Residual Current Device (RCD).

Amplifier: 120 V, 15 A, 60 Hz

Technical Information

All product dimensions are nominal.

Installation:	Drop-in, Under-mount
Drain location:	Center
Basin area, bottom:	45-3/4" x 25-15/16" (1162 mm x 659 mm)
Basin area, top:	65-3/8" x 29-5/16" (1661 mm x 745 mm)
Weight:	87 lbs (39.5 kg)
Minimum floor load:	59 lbs/ft ² (288.1 kg/m ²)
Water depth:	19-7/16" (494 mm)
Water capacity:	112 gal (424 L)
Cutout:	Drop-in, 71-1/2" x 35-1/2" (1816 mm x 902 mm)
Electrical component rating:	Amplifier: 120 V, 1.2 A, 60 Hz
Minimum flat for door:	2-3/4" (69 mm)
Bluetooth® range:	33 ft (0.8 m)

Notes

Measure your actual product for rough-in details. Install this product according to the installation instructions.

The hot water supply should be 70% of the capacity of the bath or greater. Installations will vary.

Kit is required for under-mount installations (sold separately).

Control amplifier fits 16" (406 mm) center studs. 25' (7.6 m) cables are included.