

### Features

- Single faucet hole.
- Oval basin.
- Overflow drain.
- Includes wall hanger.
- Combination consists of the K-1997-1 basin and the K-1998 shroud.

### Material

- Vitreous china.

### Installation

- Wall-mount
- Drilled for concealed arm carrier installation.

### Optional Products/Accessories

K-8998 P-Trap



ADA CSA B651 OBC

### Codes/Standards





ASME A112.19.2/CSA B45.1  
ADA  
ICC/ANSI A117.1  
CSA B651  
OBC

### KOHLER® One-Year Limited Warranty

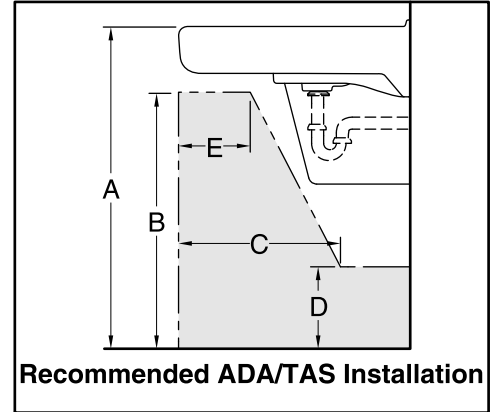
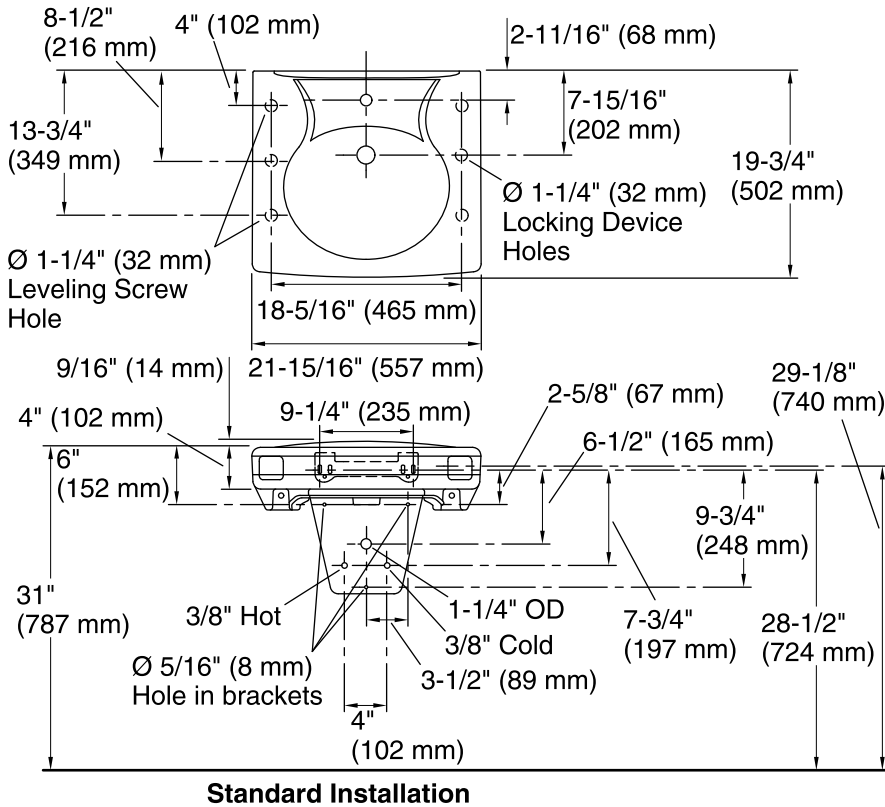
See website for detailed warranty information.

### Available Colors/Finishes

*Color tiles intended for reference only.*

Color	Code	Description
	0	White
	96	Biscuit
	47	Almond
	7	Black Black™

### Concealed Arm Hole Location



### Recommended ADA/TAS installation:

	ADA and TAS	Children's Environment ADA and TAS Ages 6-12 yrs
A	34" (864 mm)	31" (787 mm)
B	27" (686 mm)	24" (610 mm)
C	11" (279 mm)	11" (279 mm)
D	9" (229 mm)	9" (229 mm)
E	8" (203 mm)	8" (203 mm)

### Technical Information

All product dimensions are nominal.

- Installation: Wall-mount
- Bowl area: Length: 14-3/8" (365 mm)  
Width: 12-5/16" (313 mm)  
Water depth: 3-1/4" (83 mm)
- Number of deck holes: 1
- Faucet hole(s): 1-3/8" (35 mm)
- Drain hole: 1-3/4" (44 mm)

### Notes

- Install this product according to the installation instructions.
- ADA and TAS standards permit parallel approach for children ages 5 years and younger.
- ADA, OBC, CSA B651 compliant when installed to the specific requirements of these regulations.