



Purist® Wading Pool®

Bathroom Sink

K-2314-1

Features

- Single faucet hole.
- Square, shallow basin.
- Coordinates with other products in the Purist collection.

Material

- Fireclay

Installation

- Drop-in or wall-mount.

Recommended Accessories

- K-7129 Drain
- K-7605-P Angle Supply with Stop (pair)
- K-9018 P-Trap
- K-9583 Bathroom Sink Bracket Kit



ADA

CSA B651

OBC

Codes/Standards

ASME A112.19.2/CSA B45.1
ADA
ICC/ANSI A117.1
CSA B651
OBC




KOHLER® One-Year Limited Warranty

See website for detailed warranty information.

Available Color/Finishes

Color tiles intended for reference only.

| Color | Code | Description |
|-------|------|-------------|
|-------|------|-------------|

| | | |
|--|----|---------|
|  | 0 | White |
|  | 96 | Biscuit |
|  | 47 | Almond |

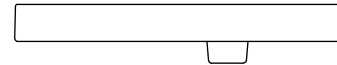
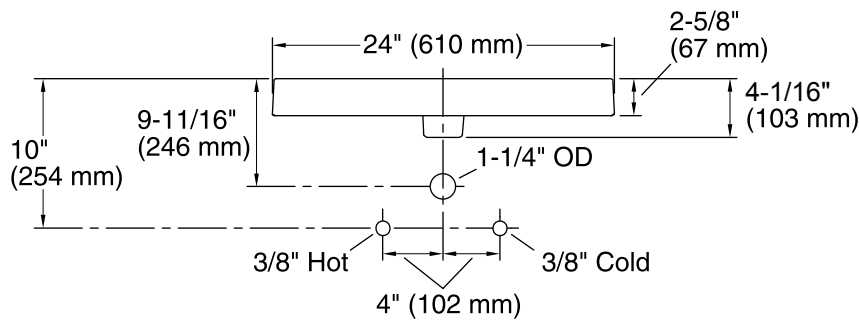
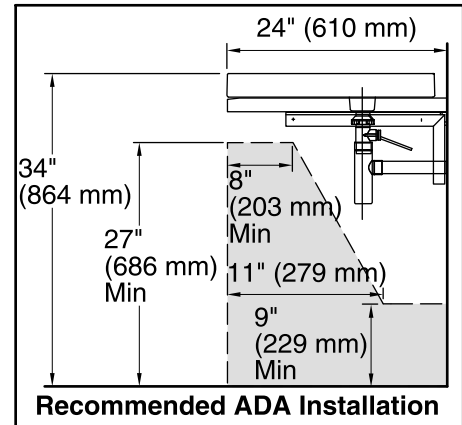
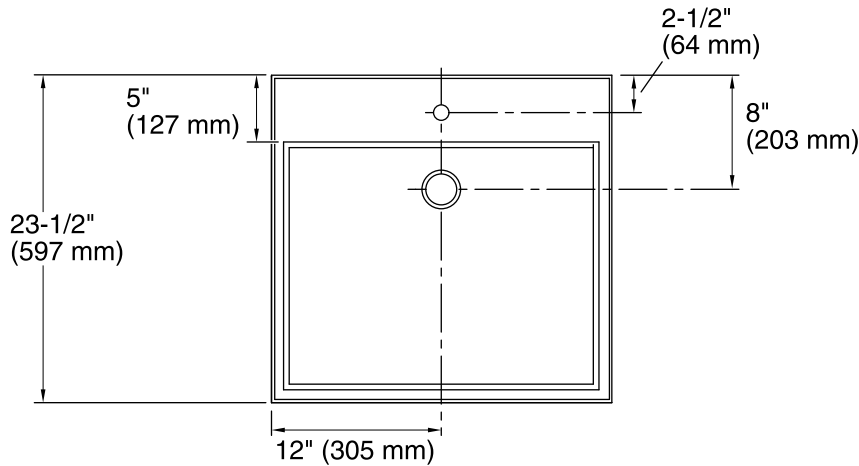
1-800-4KOHLER (1-800-456-4537)

Kohler Co. reserves the right to make revisions without notice to product specifications.

For the most current Specification Sheet, go to www.kohler.com.

12-4-2018 12:02 - US/CA

THE BOLD LOOK
OF **KOHLER**®



Technical Information

All product dimensions are nominal.

| | |
|-----------------------|--|
| Installation: | Drop-in, Wall-mount |
| Bowl area (Only): | Length: 22" (559 mm) Width: 17-1/2" (445 mm) Water depth: 1-3/4" (44 mm) |
| Number of deck holes: | 1 |
| Faucet hole(s): | 1-3/8" (35 mm) |
| Template: | 1014137-7, required, included |

Notes

Install this product according to the installation instructions.

Product does not have an overflow.

NOTICE: Countertop manufacturer or cutter must use the cut-out template provided with the product, or a current one provided by Kohler Co. (call 1-800-4-KOHLER). Kohler Co. is not responsible for cutout errors when the incorrect cut-out template is used.

ADA, OBC, CSA B651 compliant when installed to the specific requirements of these regulations.