

Features

- Solid, one-piece brass construction.
- Brass valve bodies.
- Quarter-turn washerless ceramic disc valves.
- 3-15/16" (99 mm) spout reach.
- For 4" (102 mm) centers.
- Vandal resistant aerator for aerated flow.
- Wristblade lever handles.
- Less drain.
- 1.0 gal/min (3.8 l/min) maximum flow rate [max at 60 psi (4.14 bar)].



ADA

CSA B651

OBC

Codes/Standards

ASME A112.18.1/CSA B125.1

NSF/ANSI 61

NSF/ANSI 372

All applicable US Federal and State material regulations

DOE - Energy Policy Act 1992

EPA WaterSense®

ADA

ICC/ANSI A117.1

CSA B651

OBC

KOHLER® One-Year Limited Warranty

See website for detailed warranty information.

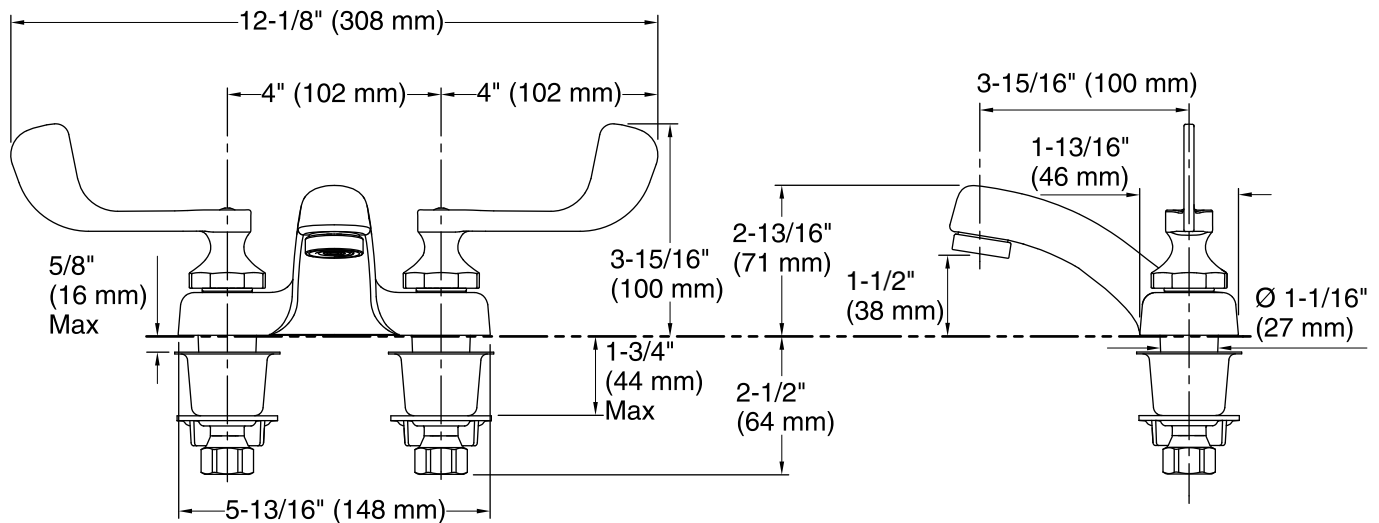
Available Colors/Finishes

Color tiles intended for reference only.

Color	Code	Description
-------	------	-------------



CP	Polished Chrome
----	-----------------



Technical Information

All product dimensions are nominal.

Faucet:

Flow rate: 1 gal/min (3.8 l/min)

Pressure: 60 psi (4.1 bar)

Spout:

Spout reach: 3-15/16" (99 mm)

Handle clearance: 4-1/16" (103 mm)

Notes

Install this product according to the installation guide.

ADA, OBC, CSA B651 compliant when installed to the specific requirements of these regulations.