



Features

- 72"L x 36"W x 20"H
- Designed for quick and easy installation
- Three-wall alcove installation
- Constructed of acrylic
- Designed for one-person bathing
- Includes integral flange to simplify installation and prevent the possibility of water damage behind the wall
- Textured bottom surface

Recommended Accessories

- K-1283 Removable Apron
- K-1491 Bath/Whirlpool Pillow
- K-7166-AF Bath Drain
- K-24916 Wireless Music Kit
- K-1601 Bath/Whirlpool Footstop
- K-7213 27" Cable Bath Drain
- K-7214 27" Cable Bath Drain
- K-7259 Clearflo Bath Drain



Codes/Standards






- CSA B45.5/IAPMO Z124
- ASTM E162
- ASTM E662
- Greenguard UL 2818 - Gold

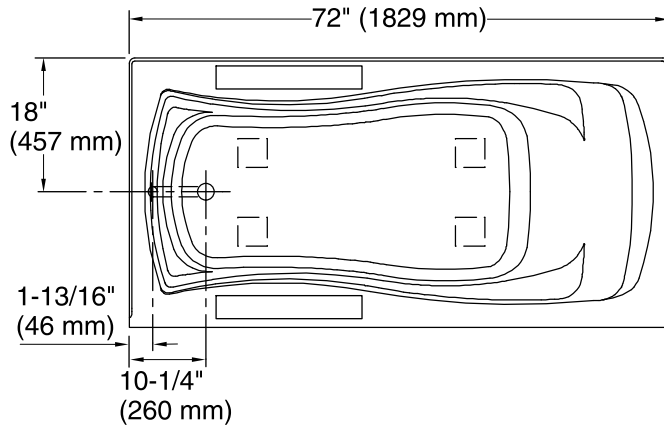
KOHLER® Plastic Baths and Receptors Lifetime Limited Warranty

See website for detailed warranty information.


Available Color/Finishes

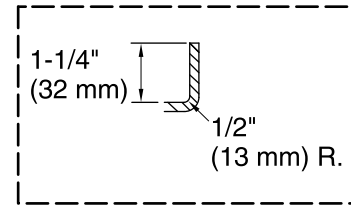
Color tiles intended for reference only.

Color	Code	Description
	0	White
	96	Biscuit
	47	Almond
	NY	Dune
	G9	Sandbar

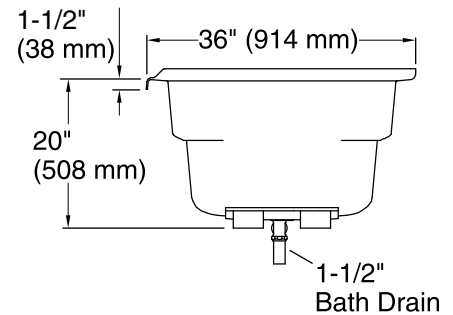
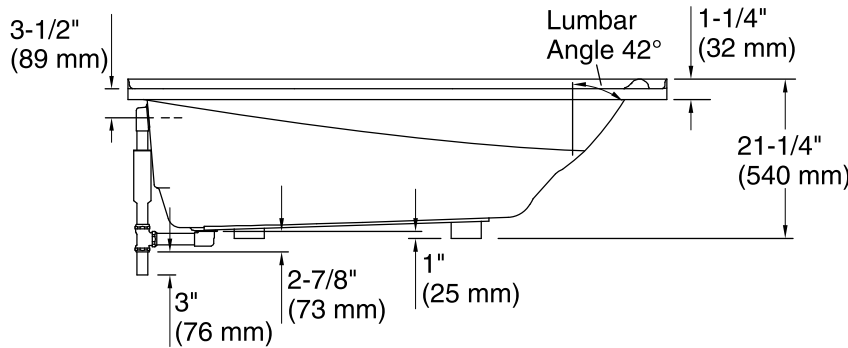


No change in measurements if connected with drain illustrated. (K-7166-AF)

 Recommended Faucet Location



Integral Flange Detail



Technical Information

All product dimensions are nominal.

- Installation: 3-Wall Alcove
- Drain location: Left
- Basin area, bottom: 50" x 24" (1270 mm x 610 mm)
- Basin area, top: 65" x 27" (1651 mm x 686 mm)
- Weight: 77 lbs (34.9 kg)
- Minimum floor load: 39 lbs/ft² (190.4 kg/m²)
- Water depth: 14" (356 mm)
- Water capacity: 72 gal (272.5 L)
- Minimum flat for door: 2-1/8" (54 mm)

Notes

- Measure your actual product for rough-in details. Install this product according to the installation instructions.
- The hot water supply should be 70% of the capacity of the bath or greater. Installations will vary.
- If installing a rim-mount faucet, make sure there is no interference above or below the deck before drilling any holes.