



Morningside™

Wall-mount Wheelchair Bathroom Sink

K-12638-R

Features

- Made from premium materials that withstand high-volume usage
- Constructed of vitreous china
- 20"L x 27"W
- Wall-mount installation
- Single-hole drilling
- Includes soap dispenser drilling on right
- Drilled for concealed arm carrier
- ADA-compliant when installed with K-13885 offset drain

Recommended Accessories

- K-8998 P-Trap
- K-7131-A Offset Drain



ADA

Codes/Standards




ASME A112.19.2/CSA B45.1
ADA
ICC/ANSI A117.1

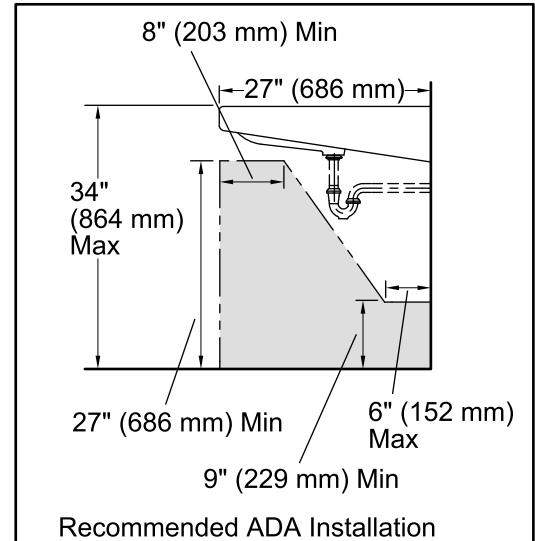
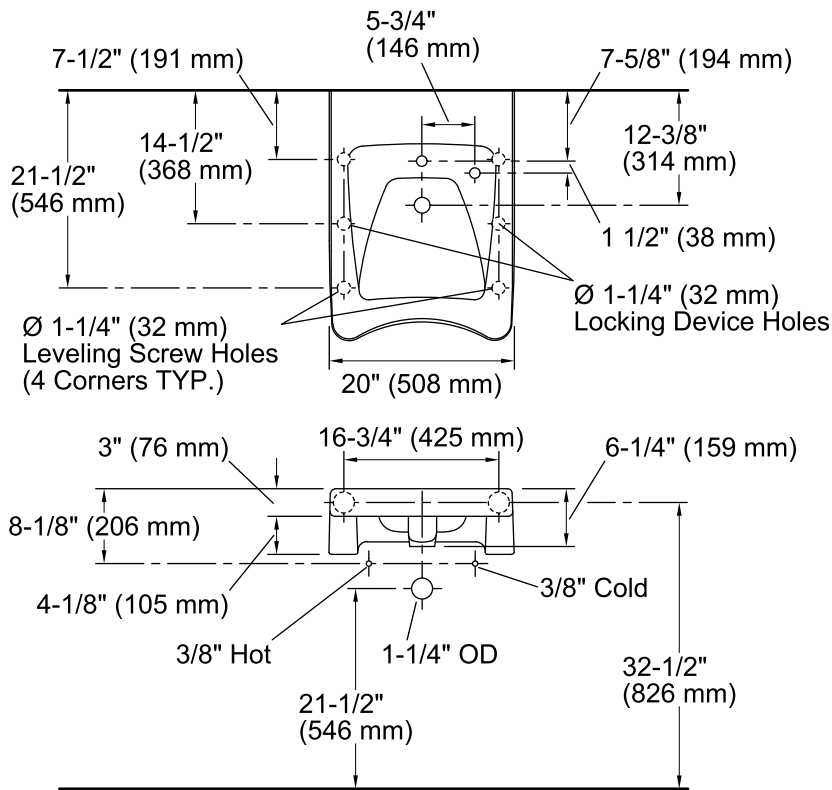
KOHLER® One-Year Limited Warranty

See website for detailed warranty information.

Available Color/Finishes

Color tiles intended for reference only.

Color	Code	Description
	0	White
	96	Biscuit
	47	Almond



Technical Information

All product dimensions are nominal.

- Bowl configuration: Single
- Installation: Wall-mount
- Bowl area (Only): Length: 14" (356 mm)
Width: 13" (330 mm)
Water depth: 2-5/8" (67 mm)
- Number of deck holes: 2
- Faucet hole(s): 1-3/8" (35 mm)
- Soap/Lotion hole: 1-1/4" (32 mm)
- Drain hole: 1-3/4" (44 mm)

Notes

Install this product according to the installation instructions.

ADA compliant when installed to the specific requirements of these regulations.