



Iron Plains® Rectangle

Bathroom Sink
K-5400-B

Features

- Rectangular basin.
- No faucet holes; requires wall- or counter-mount faucet.
- Overflow drain.
- Biscuit painted underside.

Material

- KOHLER® enameled cast iron.

Installation

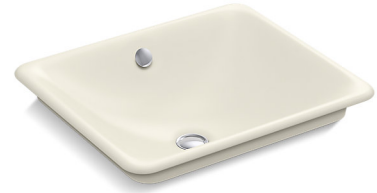
- Vessel

Optional Accessories

52047 Clamp Accessory Pack, 4 Ea.

Components

Additional included component/s: 1193643 Basin Clamps.



ADA

Codes/Standards

ASME A112.19.1/CSA B45.2

ADA

ICC/ANSI A117.1



Lifetime Limited Warranty for KOHLER® Cast Iron Components

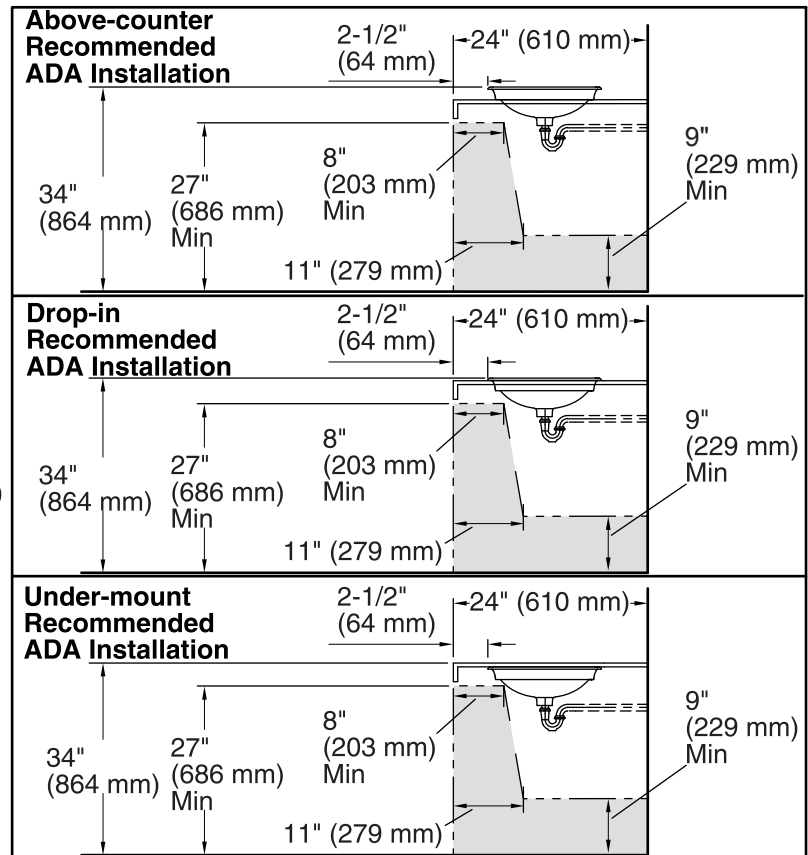
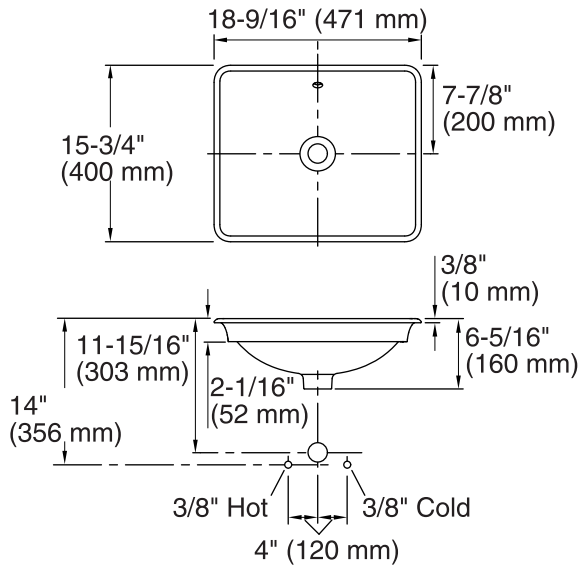
See website for detailed warranty information.

Available Color/Finishes

Color tiles intended for reference only.

Color	Code	Description
-------	------	-------------

	96	Biscuit
	FD	Cane Sugar™



Technical Information

All product dimensions are nominal.

Bowl configuration:	Single
Installation:	Vessel
Bowl area (Only):	Length: 17-1/2" (445 mm) Width: 14-3/4" (375 mm) Bowl depth: 4-9/16" (116 mm) With overflow: Yes Water depth: 2-15/16" (74 mm)
Template:	1222632-7, required, included 1222632-7, required, included 1222632-7, required, included

Notes

Install this product according to the installation instructions.

NOTICE: Countertop manufacturer or cutter must use the cut-out template provided with the product, or a current one provided by Kohler Co. (call 1-800-4-KOHLER). Kohler Co. is not responsible for cutout errors when the incorrect cut-out template is used.

ADA compliant when installed to the specific requirements of these regulations.